



McGuire Manufacturing Co., Inc.

60 Grandview Court
 Cheshire, Connecticut 06410
 (203) 699-1801 Fax (203) 699-1813
 customerservice@mcguiremfg.com mcguiremfg.com

PRODUCT SPECIFICATION

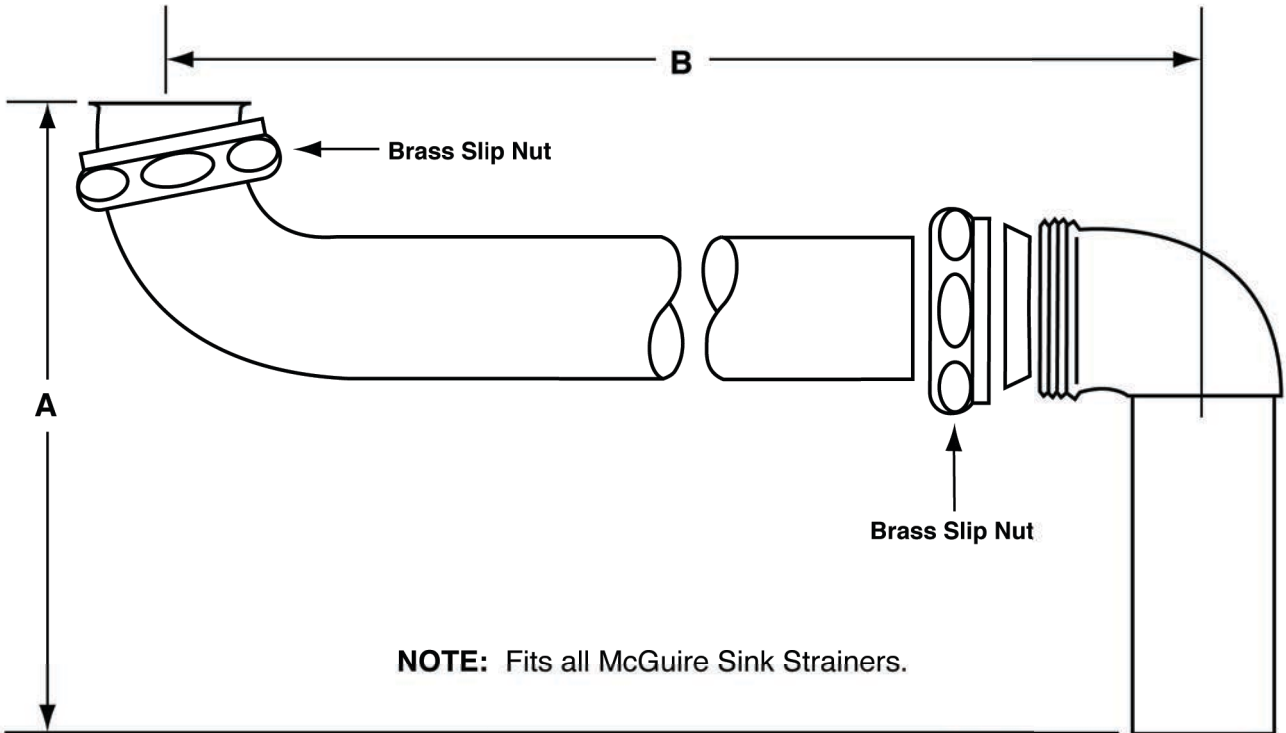
Part No.

1000WC Strainer Series

Offset Sink Strainer
 ADA Compliant

Job Name: _____

Submittal Number: _____



NOTE: Fits all McGuire Sink Strainers.

Model No.	Strainer	Description	Roughing Measurements	
			A	B
1000WC	N/A	Offset Only	7"	12-3/4"
1151WC	151	Offset with 151 Brass Strainer	7"	12-3/4"
1151AWC	151A	Offset with 151A Stainless Steel Strainer	7"	12-3/4"
1149WC	149	Offset with 149 Brass Flat Grid Strainer	7"	12-3/4"
1152WC	152	Offset with 152 Brass Strainer	7"	12-3/4"
1153WC	153	Offset with 153 Bar Strainer	7"	12-3/4"
1151ANWC	151A	Offset with 151A Stainless Steel Strainer and Brass Nuts	7"	12-3/4"
1152NWC	152	Offset with 152 Brass Strainer and Brass Nuts	7"	12-3/4"

A.D.A.



151, 151A, and 152 are ASME A112.18.2/CSA B125.2

Specifications:

Adjustable Offset Sink Strainer furnished with 17 gauge seamless brass wastearm, 17 gauge seamless brass tailpiece, cast brass slip nuts and heavy cast elbow. Sink strainer shall be in compliance with CSA or other recognized testing authority and bear both manufacturer and testing mark.

WARNING:

This product can expose you to chemicals including lead, which is known to the State of California to cause cancer, and birth defects or other reproductive harm. For more information go to www.P65Warnings.ca.gov.



McGuire Manufacturing Co., Inc.

60 Grandview Court
Cheshire, Connecticut 06410
(203) 699-1801 Fax (203) 699-1813
customerservice@mcguiremfg.com mcguiremfg.com

PRODUCT SPECIFICATION

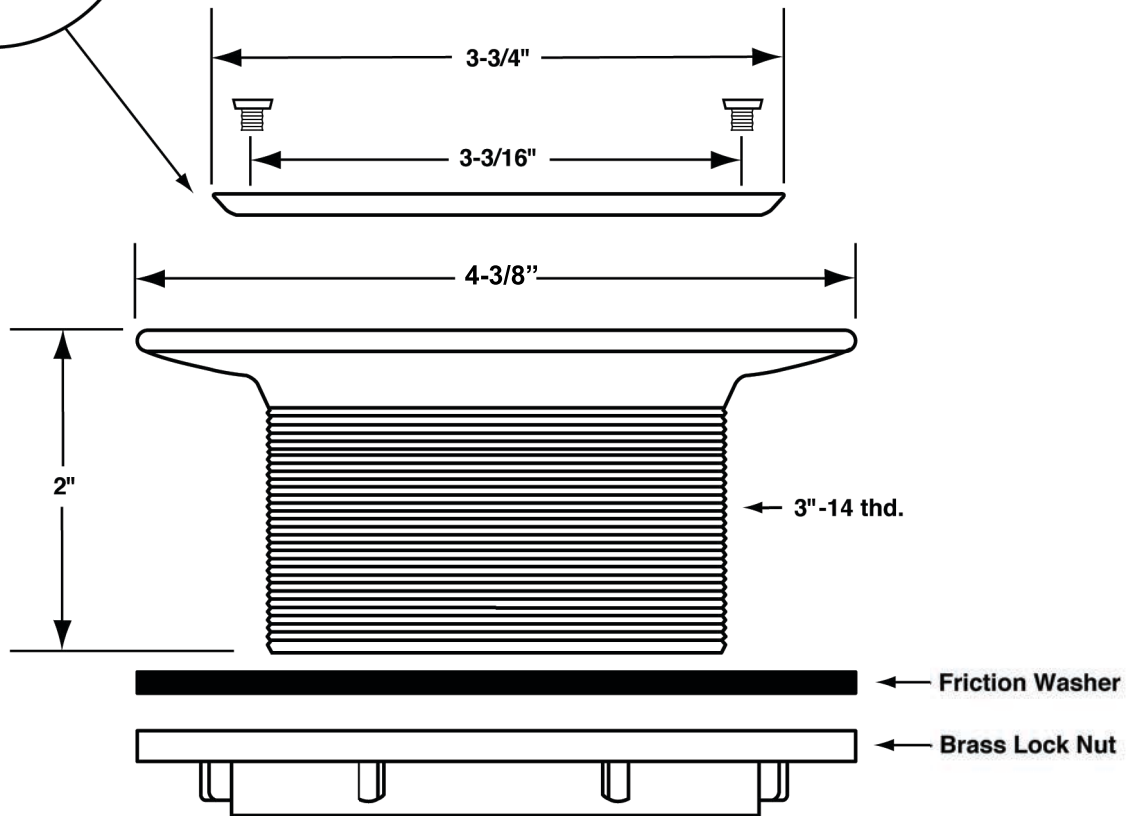
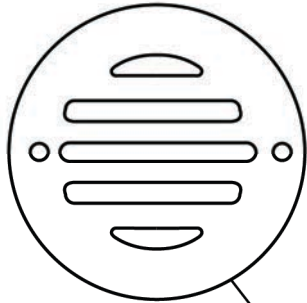
Part No.

1233

Flat Grid Urinal Strainer
for 2 inch Caulk

Job Name:

Submittal Number:



Please Note: Add suffix "V" to Part Number for vandal resistant screws.

Specifications:

Heavy Cast Brass Flat Grid Strainer for 2" lead caulk, iron or soil pipe with cast brass lock nut.
Available with vandal resistant screws.



WARNING:

This product can expose you to chemicals including lead, which is known to the State of California to cause cancer, and birth defects or other reproductive harm. For more information go to www.P65Warnings.ca.gov.



McGuire Manufacturing Co., Inc.

60 Grandview Court
Cheshire, Connecticut 06410
(203) 699-1801 Fax (203) 699-1813
customerservice@mcguiremfg.com mcguiremfg.com

PRODUCT SPECIFICATION

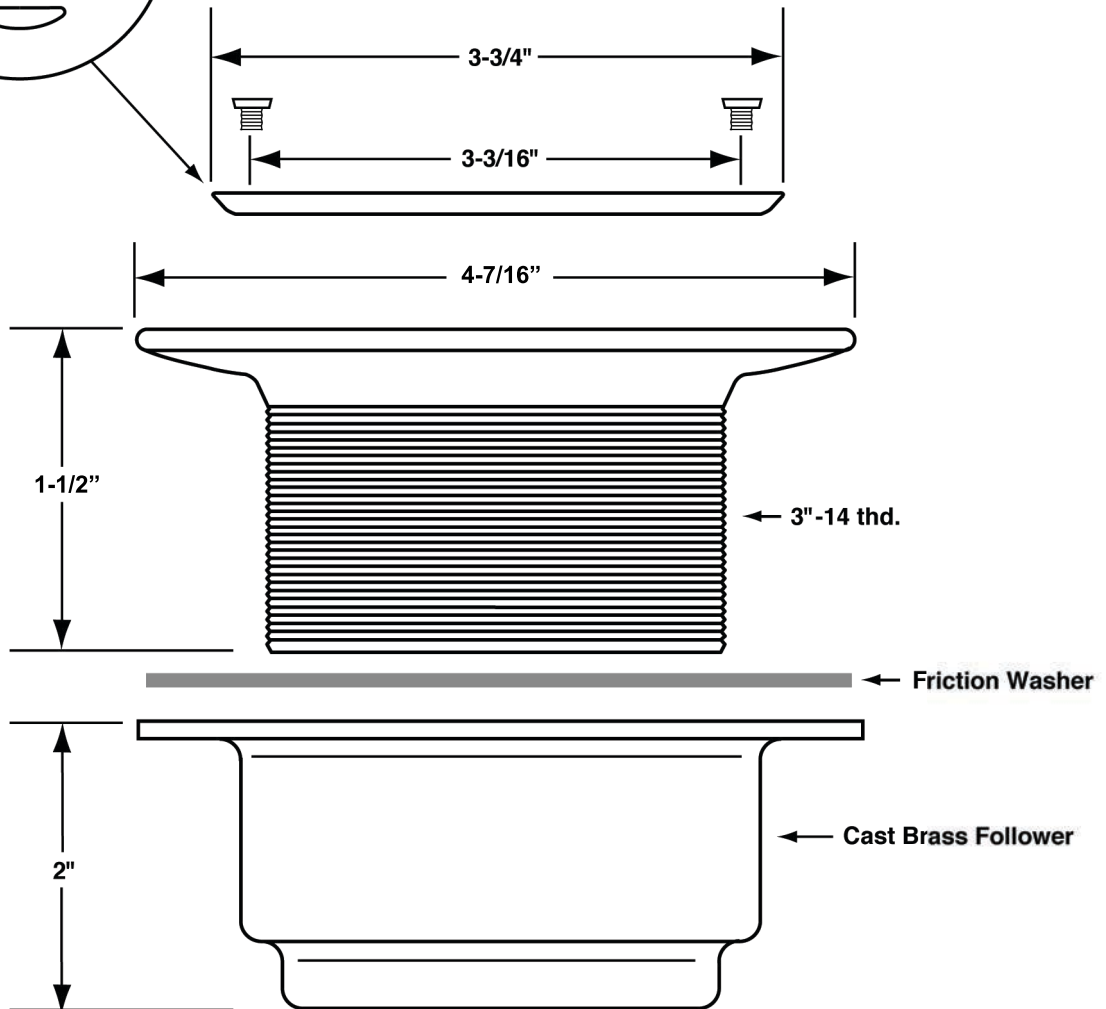
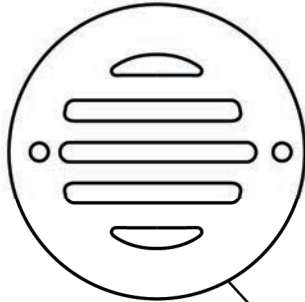
Part No.

1233A2, 1233A3

FIPS Flat Grid
Urinal Strainer

Job Name:

Submittal Number:



Please Note: Add suffix "V" to Part Number for vandal resistant screws.

Specifications:

Heavy cast brass chrome plated flat grid strainer with cast brass adapter for female IPS connection.

1233A2 is 2" FIPS and 1233A3 is 3" FIPS.



WARNING:

This product can expose you to chemicals including lead, which is known to the State of California to cause cancer, and birth defects or other reproductive harm. For more information go to www.P65Warnings.ca.gov.



McGuire Manufacturing Co., Inc.

60 Grandview Court
Cheshire, Connecticut 06410
(203) 699-1801 Fax (203) 699-1813
customerservice@mcguiremfg.com mcguiremfg.com

PRODUCT SPECIFICATION

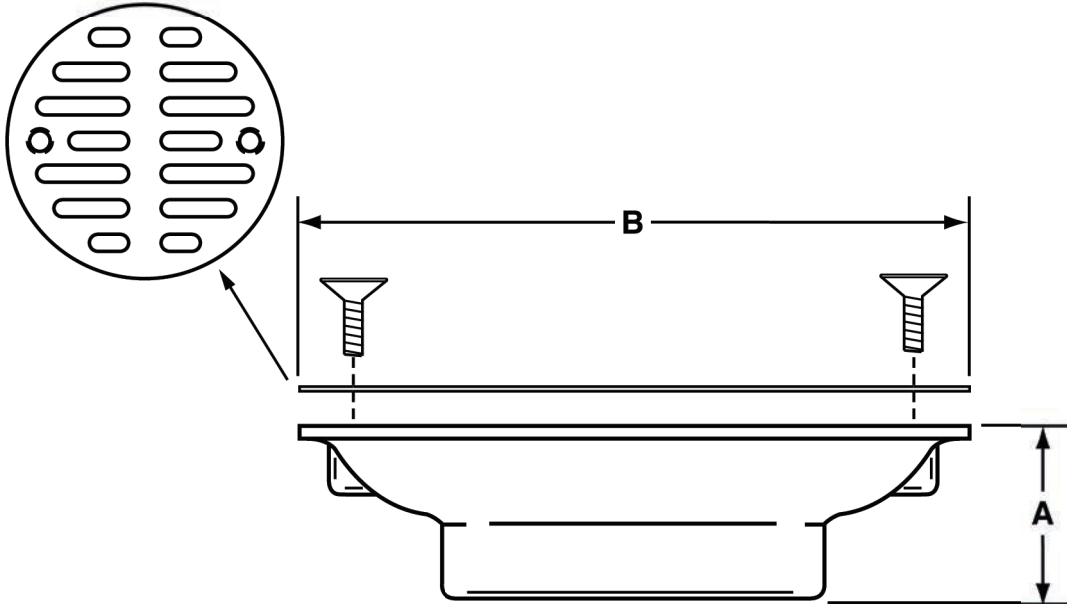
Part No.

1266, 1266A

Shower Stall Strainer

Job Name:

Submittal Number:



MODEL NO.	DESCRIPTION	A	B
1266	1-1/2" FIP Strainer	1"	3-1/2"
1266A	2" FIP Strainer	1"	3-1/2"

Please Note: Add suffix "V" to Part Number for vandal resistant screws.

Specifications:

Heavy cast brass body shower stall strainer with stainless steel grid. Available with vandal resistant screws.



WARNING:

This product can expose you to chemicals including lead, which is known to the State of California to cause cancer, and birth defects or other reproductive harm. For more information go to www.P65Warnings.ca.gov.



McGuire Manufacturing Co., Inc.

60 Grandview Court
Cheshire, Connecticut 06410
(203) 699-1801 Fax (203) 699-1813
customerservice@mcguiremfg.com mcguiremfg.com

PRODUCT SPECIFICATION

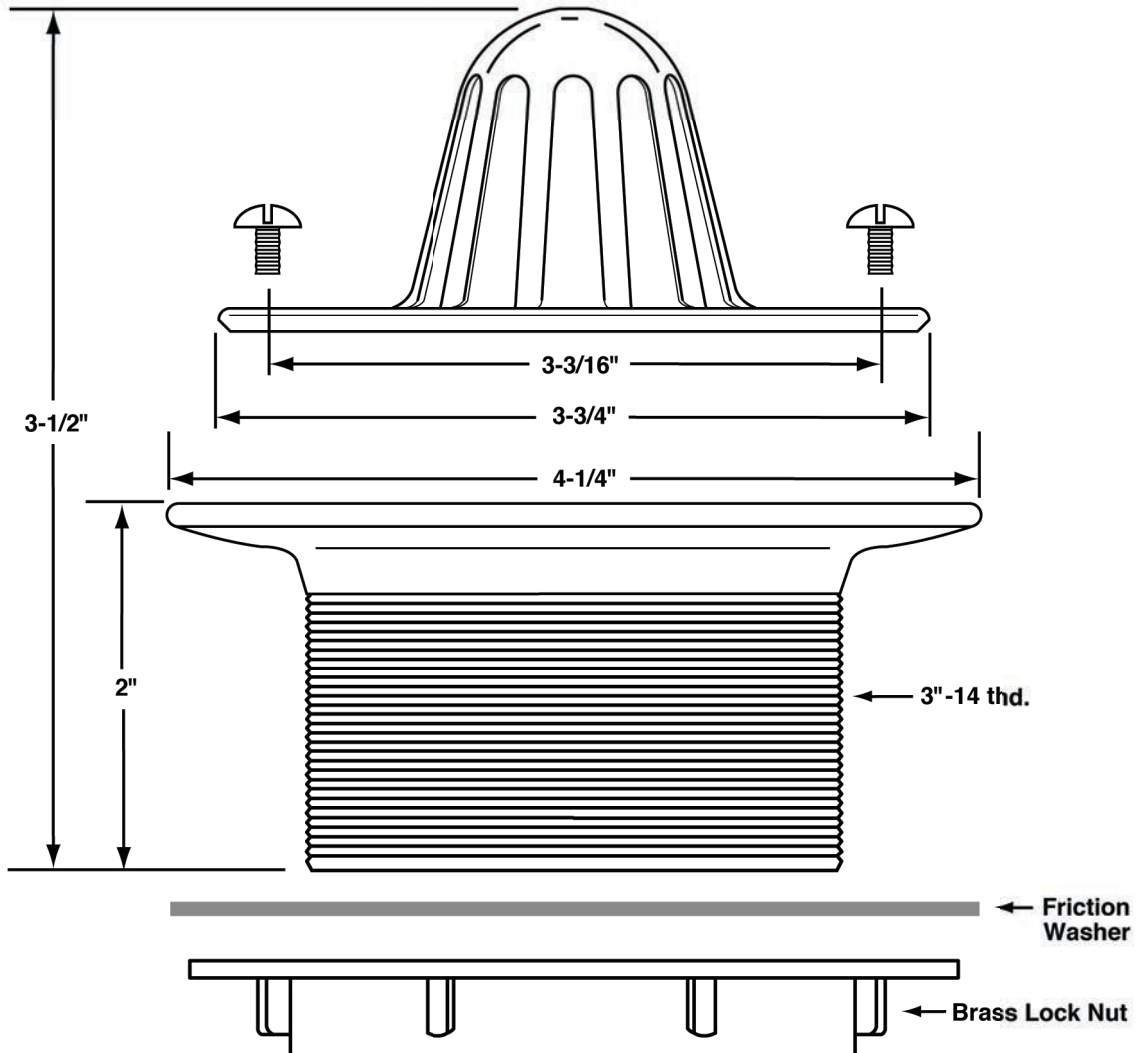
Part No.

1303

Beehive
Urinal Strainer

Job Name:

Submittal Number:



Please Note: Add suffix "V" to Part Number for vandal resistant screws.

See options and accessories section for details on product variations.

Specifications:

Heavy Cast Brass Beehive Urinal Strainer for 2" lead caulk, iron or soil pipe with cast brass lock nut. Available with vandal resistant screws.



WARNING:

This product can expose you to chemicals including lead, which is known to the State of California to cause cancer, and birth defects or other reproductive harm. For more information go to www.P65Warnings.ca.gov.



McGuire Manufacturing Co., Inc.

60 Grandview Court

Cheshire, Connecticut 06410

(203) 699-1801 Fax (203) 699-1813

customerservice@mcguiremfg.com mcguiremfg.com

PRODUCT SPECIFICATION

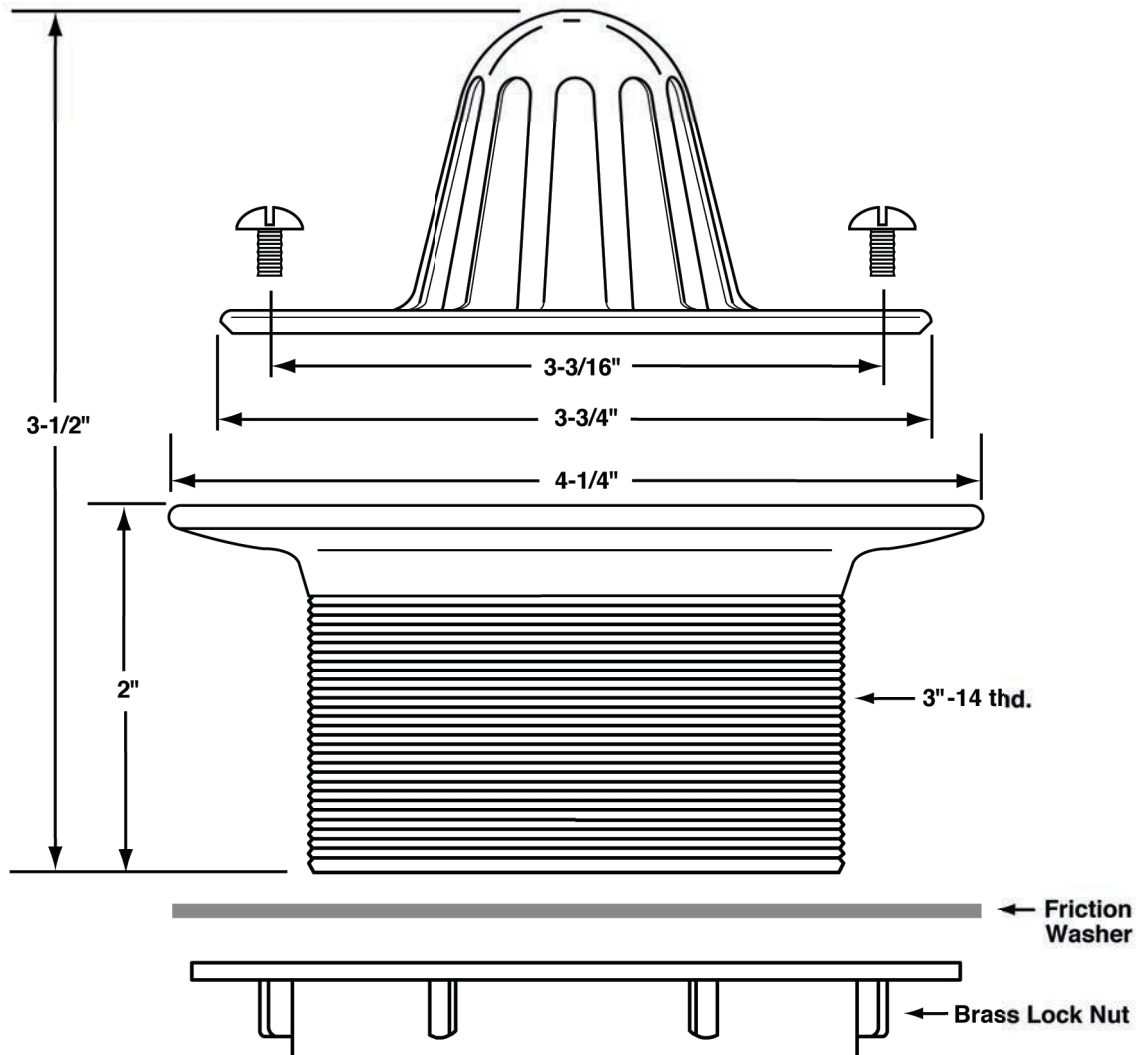
Part No.

1303A2, 1303A3

**Beehive Urinal Strainer
with 2" or 3" IPA**

Job Name:

Submittal Number:



Please Note: Add suffix "V" to Part Number for vandal resistant screws.

See options and accessories section for details on product variations.

Specifications:

Heavy cast brass beehive urinal strainer for 2" lead caulk, iron or soil pipe with cast brass lock nut. 2" or 3" IPA (iron pipe adapter). Available with vandal resistant screws.



WARNING:

This product can expose you to chemicals including lead, which is known to the State of California to cause cancer, and birth defects or other reproductive harm. For more information go to www.P65Warnings.ca.gov.



McGuire Manufacturing Co., Inc.

60 Grandview Court
Cheshire, Connecticut 06410
(203) 699-1801 Fax (203) 699-1813
customerservice@mcguiremfg.com mcguiremfg.com

PRODUCT SPECIFICATION

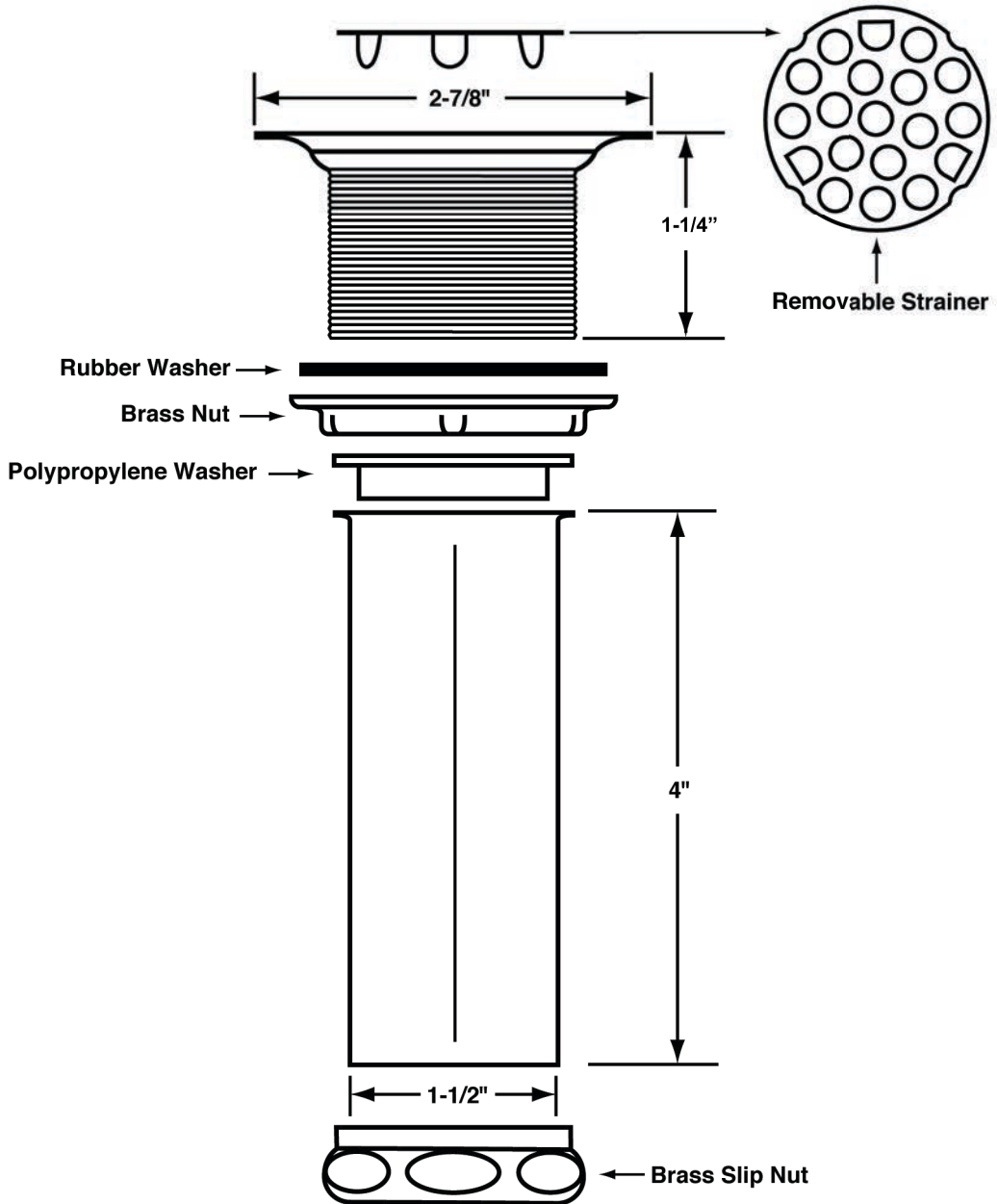
Part No.

149

Flat Grid Sink Strainer

Job Name:

Submittal Number:



See options and accessories section for details on product variations.

Specifications:

Wrought brass chrome plated flat grid sink strainer with 1-1/2" x 4" seamless brass tailpiece, cast brass lock and coupling nuts. Fits sink thickness up to 5/8".



WARNING:

This product can expose you to chemicals including lead, which is known to the State of California to cause cancer, and birth defects or other reproductive harm. For more information go to www.P65Warnings.ca.gov.



McGuire Manufacturing Co., Inc.

60 Grandview Court
P.O. Box 746 • Cheshire, CT 06410
203-699-1801 • Fax: 203-699-1813
www.mcguiremfg.com

PRODUCT SPECIFICATION

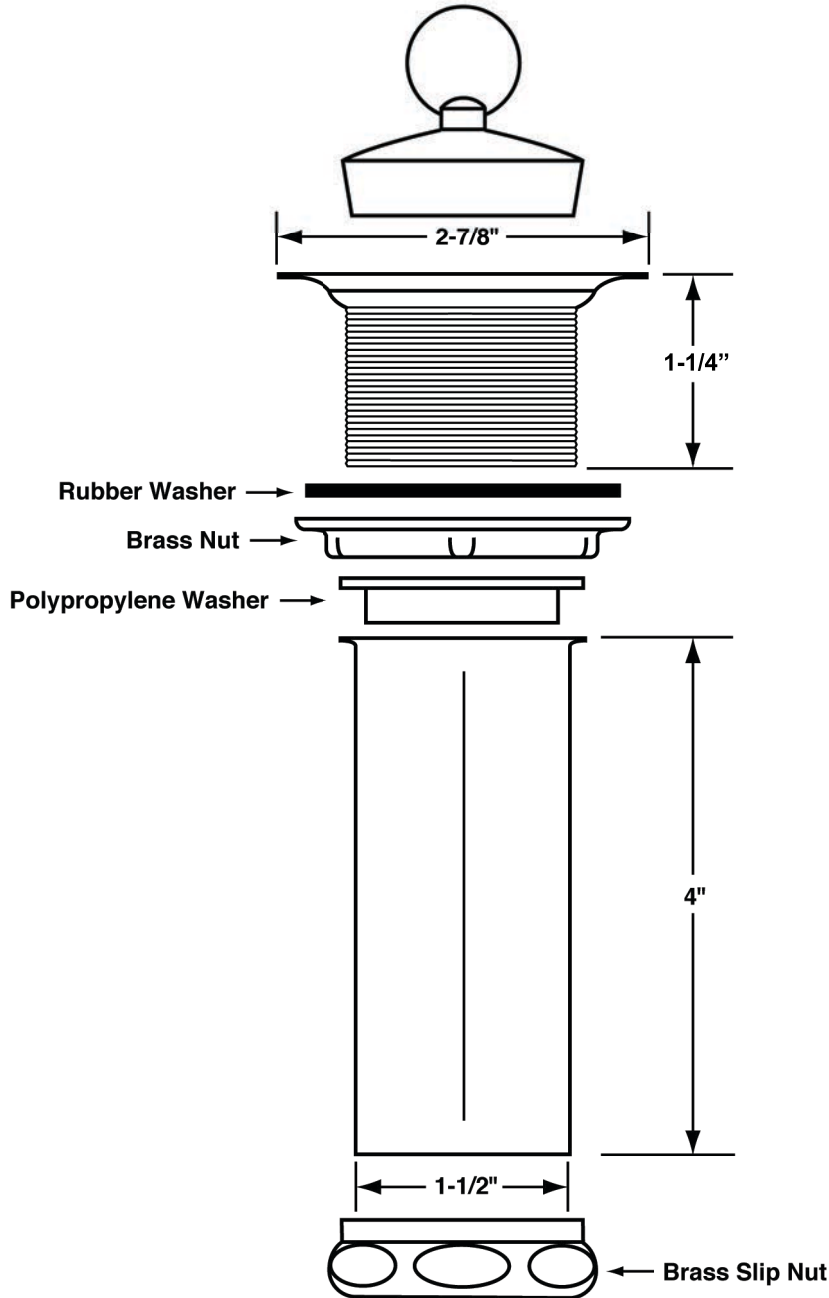
Part No.

150

Tray Plug

Job Name:

Submittal Number:



See options and accessories section for details on product variations.

Specifications:

Wrought brass chrome plated tray plug with 1-1/2" x 4" seamless brass tailpiece, cast brass lock and coupling nut. Fits sink thickness up to 5/8".



WARNING:

This product can expose you to chemicals including lead, which is known to the State of California to cause cancer, and birth defects or other reproductive harm. For more information go to www.P65Warnings.ca.gov.



McGuire Manufacturing Co., Inc.

60 Grandview Court
Cheshire, Connecticut 06410
(203) 699-1801 Fax (203) 699-1813
customerservice@mcguiremfg.com mcguiremfg.com

PRODUCT SPECIFICATION

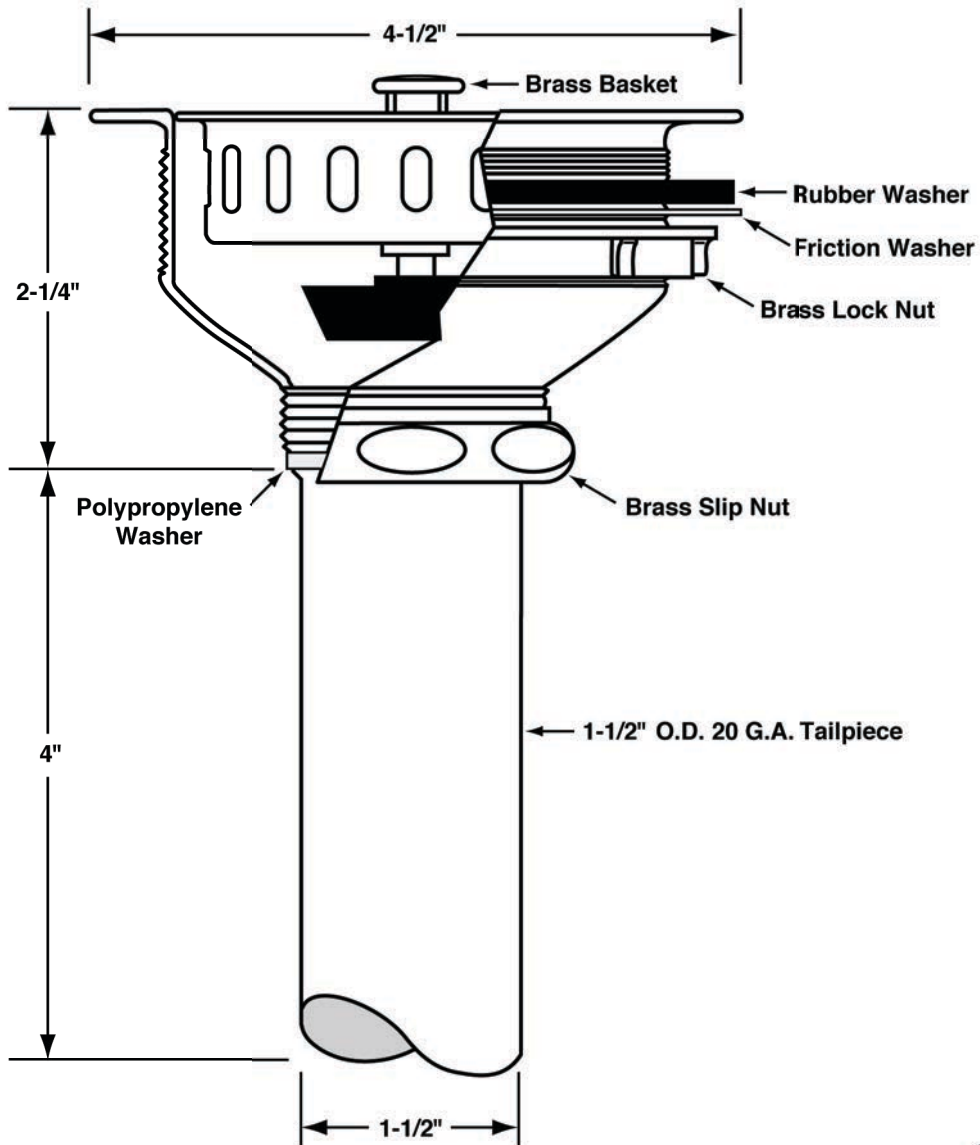
Part No.

151

Brass Basket Strainer

Job Name:

Submittal Number:



See options and accessories section for details on product variations.

ASME A112.18.2/CSA B125.2



Specifications:

Heavy duty forged brass basket strainer with a polished and chrome plated brass strainer body, 1-1/2" x 4" seamless brass tailpiece, cast brass lock and coupling nuts. Fits sink thickness up to 5/8". Basket strainer in compliance with CSA or other recognized testing authority and bear both manufacturer and testing mark.



WARNING:

This product can expose you to chemicals including lead, which is known to the State of California to cause cancer, and birth defects or other reproductive harm. For more information go to www.P65Warnings.ca.gov.



McGuire Manufacturing Co., Inc.

60 Grandview Court
Cheshire, Connecticut 06410
(203) 699-1801 Fax (203) 699-1813
customerservice@mcguiremfg.com mcguiremfg.com

PRODUCT SPECIFICATION

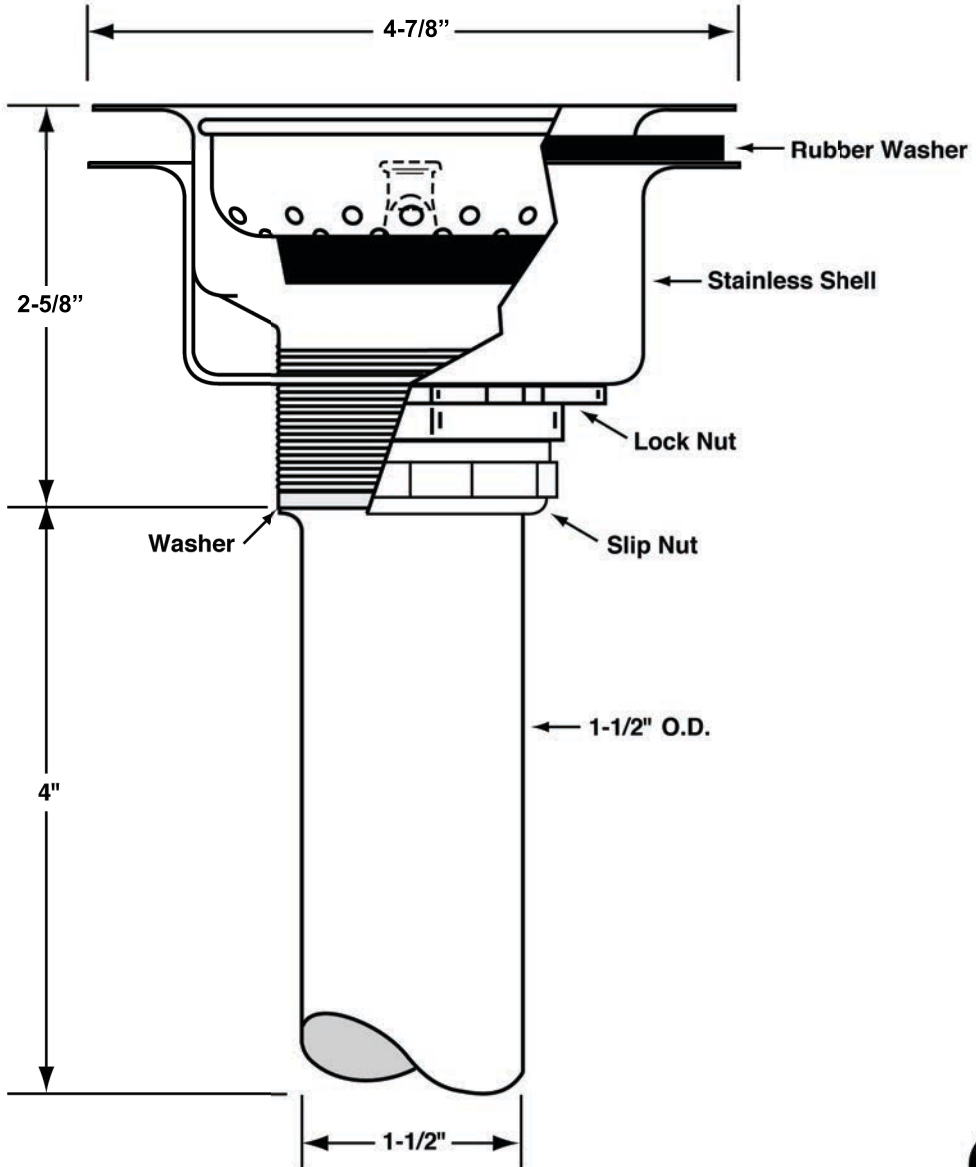
Part No.

151A

**Stainless Steel
Basket Strainer**

Job Name:

Submittal Number:



ASME A112.18.2/CSA B125.2

See options and accessories section for details on product variations.

Specifications:

Heavy Duty Forged Stainless Steel Basket Strainer with 1-1/2" x 4" seamless brass tailpiece, die cast slip and lock nuts. Basket Strainer shall be in compliance with CSA or other recognized testing authority and bear both manufacturer and testing mark.



WARNING:

This product can expose you to chemicals including lead, which is known to the State of California to cause cancer, and birth defects or other reproductive harm. For more information go to www.P65Warnings.ca.gov.



McGuire Manufacturing Co., Inc.

60 Grandview Court
Cheshire, Connecticut 06410
(203) 699-1801 Fax (203) 699-1813
customerservice@mcguiremfg.com mcguiremfg.com

PRODUCT SPECIFICATION

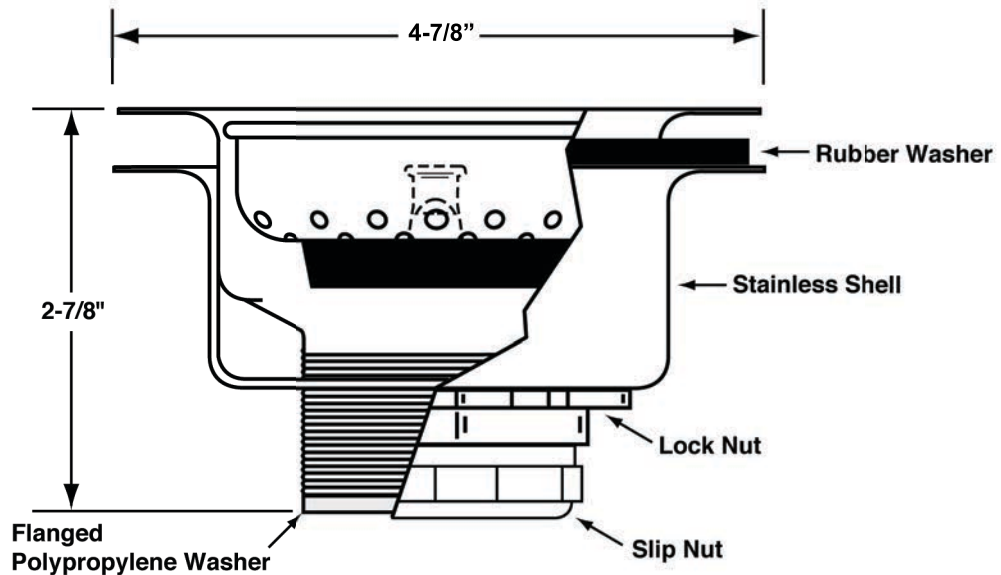
Part No.

151AECO

**Stainless Steel
Basket Strainer**

Job Name:

Submittal Number:



Specifications:

Heavy Duty Forged Stainless Steel Basket Strainer with metal stem, lock and coupling nuts.



WARNING:

This product can expose you to chemicals including lead, which is known to the State of California to cause cancer, and birth defects or other reproductive harm. For more information go to www.P65Warnings.ca.gov.



McGuire Manufacturing Co., Inc.

60 Grandview Court
Cheshire, Connecticut 06410
(203) 699-1801 Fax (203) 699-1813
customerservice@mcguiremfg.com mcguiremfg.com

PRODUCT SPECIFICATION

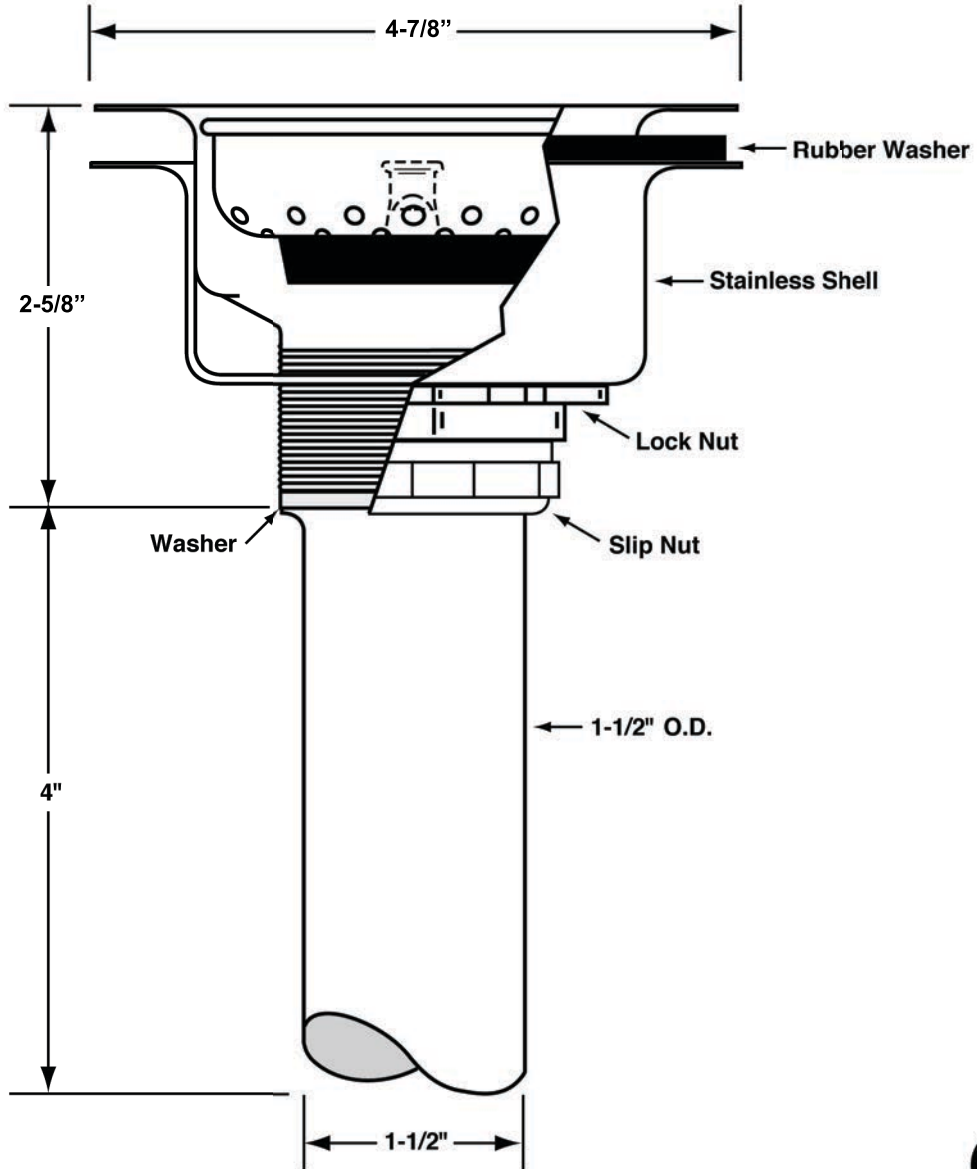
Part No.

151AM

Stainless Steel
Basket Strainer

Job Name:

Submittal Number:



ASME A112.18.2/CSA B125.2

See options and accessories section for details on product variations.

Specifications:

Heavy duty forged stainless steel basket strainer with stainless steel basket. Furnished with 1-1/2" by 4" 17 gauge tailpiece. Fits sink depth up to 1/2".



WARNING:

This product can expose you to chemicals including lead, which is known to the State of California to cause cancer, and birth defects or other reproductive harm. For more information go to www.P65Warnings.ca.gov.



McGuire Manufacturing Co., Inc.

60 Grandview Court
Cheshire, Connecticut 06410
(203) 699-1801 Fax (203) 699-1813
customerservice@mcguiremfg.com mcguiremfg.com

PRODUCT SPECIFICATION

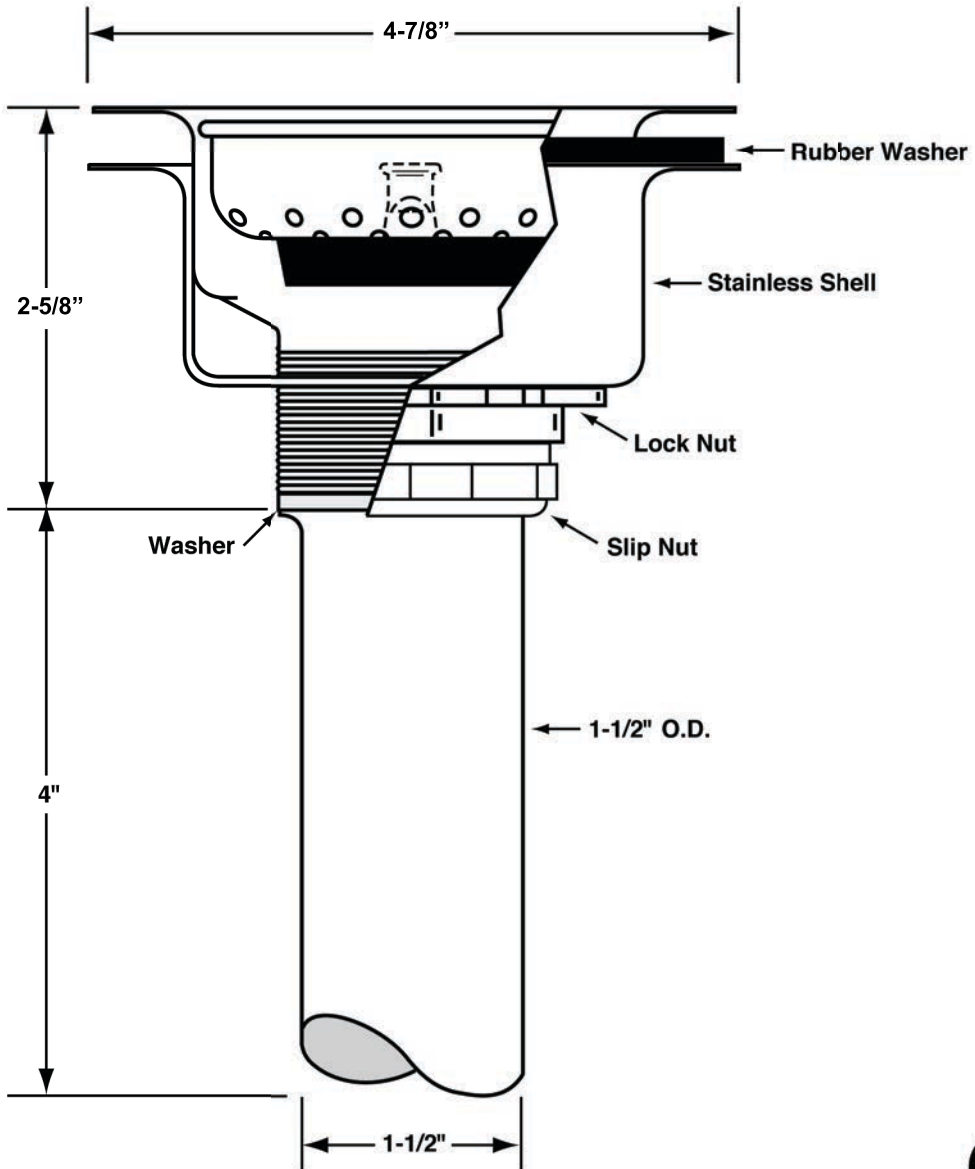
Part No.

151AN

**Stainless Steel
Basket Strainer**

Job Name:

Submittal Number:



See options and accessories section for details on product variations.

ASME A112.18.2/CSA B125.2

Specifications:

Heavy duty forged stainless steel basket strainer with stainless steel basket. Furnished with 1 1/2" x 1 1/2" cast brass slip nut and 1 1/2" rough brass lock nuts. Basket strainer shall be in compliance with CSA and bear both manufacturer and testing mark.



WARNING:

This product can expose you to chemicals including lead, which is known to the State of California to cause cancer, and birth defects or other reproductive harm. For more information go to www.P65Warnings.ca.gov.



McGuire Manufacturing Co., Inc.

60 Grandview Court
Cheshire, Connecticut 06410
(203) 699-1801 Fax (203) 699-1813
customerservice@mcguiremfg.com mcguiremfg.com

PRODUCT SPECIFICATION

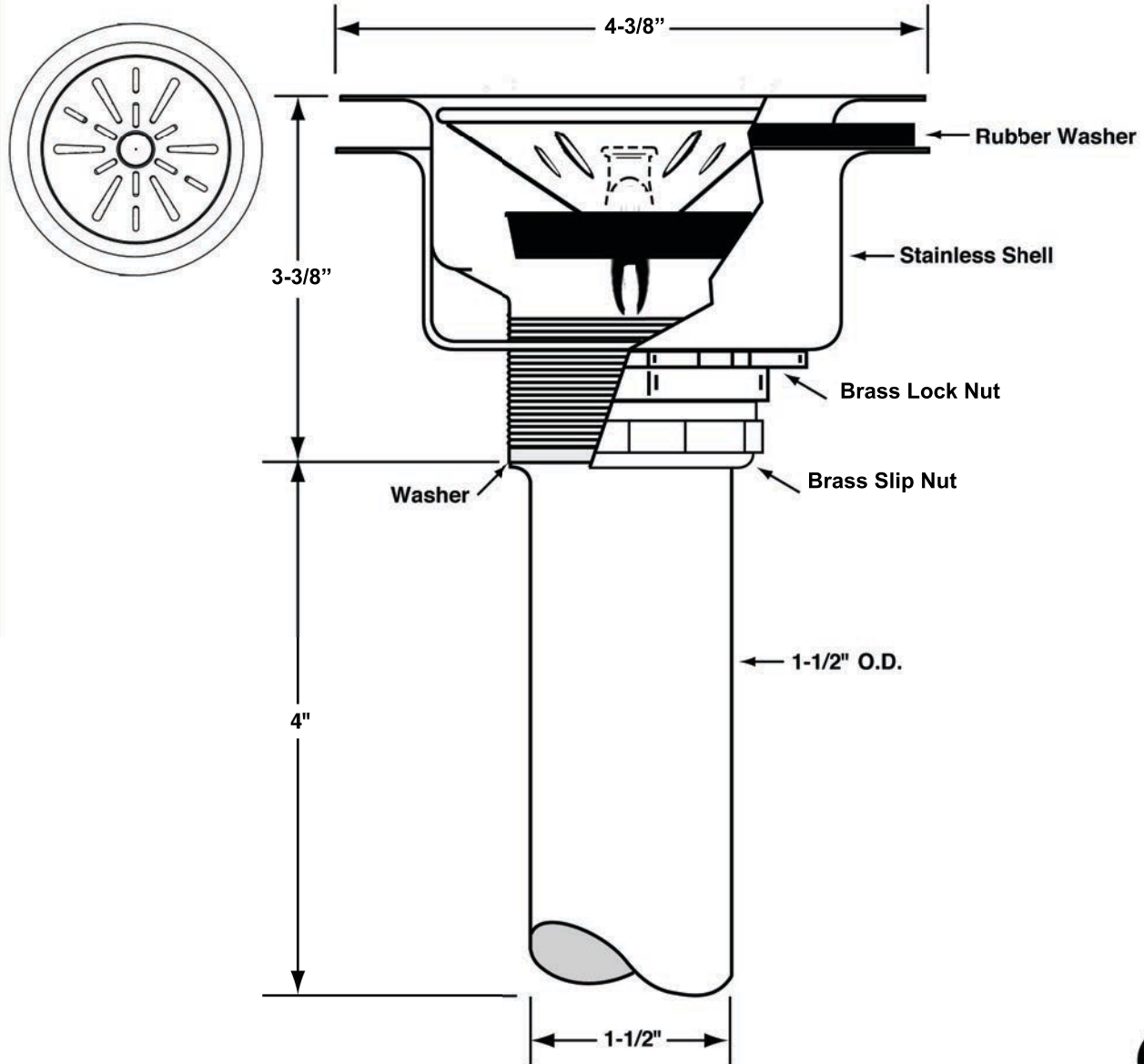
Part No.

151CNSS316

**Type 316 Stainless Steel
Conical Strainer**

Job Name:

Submittal Number:



ASME A112.18.2/CSA B125.2

Specifications:

Heavy duty Type 316 stainless steel conical basket strainer with stainless steel tailpiece. Furnished with 1-1/2" x 1-1/2" cast brass slip nut and 1-1/2" rough brass lock nut. Basket strainer shall be in compliance with CSA and bear both manufacturer and testing mark.



WARNING:

This product can expose you to chemicals including lead, which is known to the State of California to cause cancer, and birth defects or other reproductive harm. For more information go to www.P65Warnings.ca.gov.



McGuire Manufacturing Co., Inc.

60 Grandview Court
Cheshire, Connecticut 06410
(203) 699-1801 Fax (203) 699-1813
customerservice@mcguiremfg.com mcguiremfg.com

PRODUCT SPECIFICATION

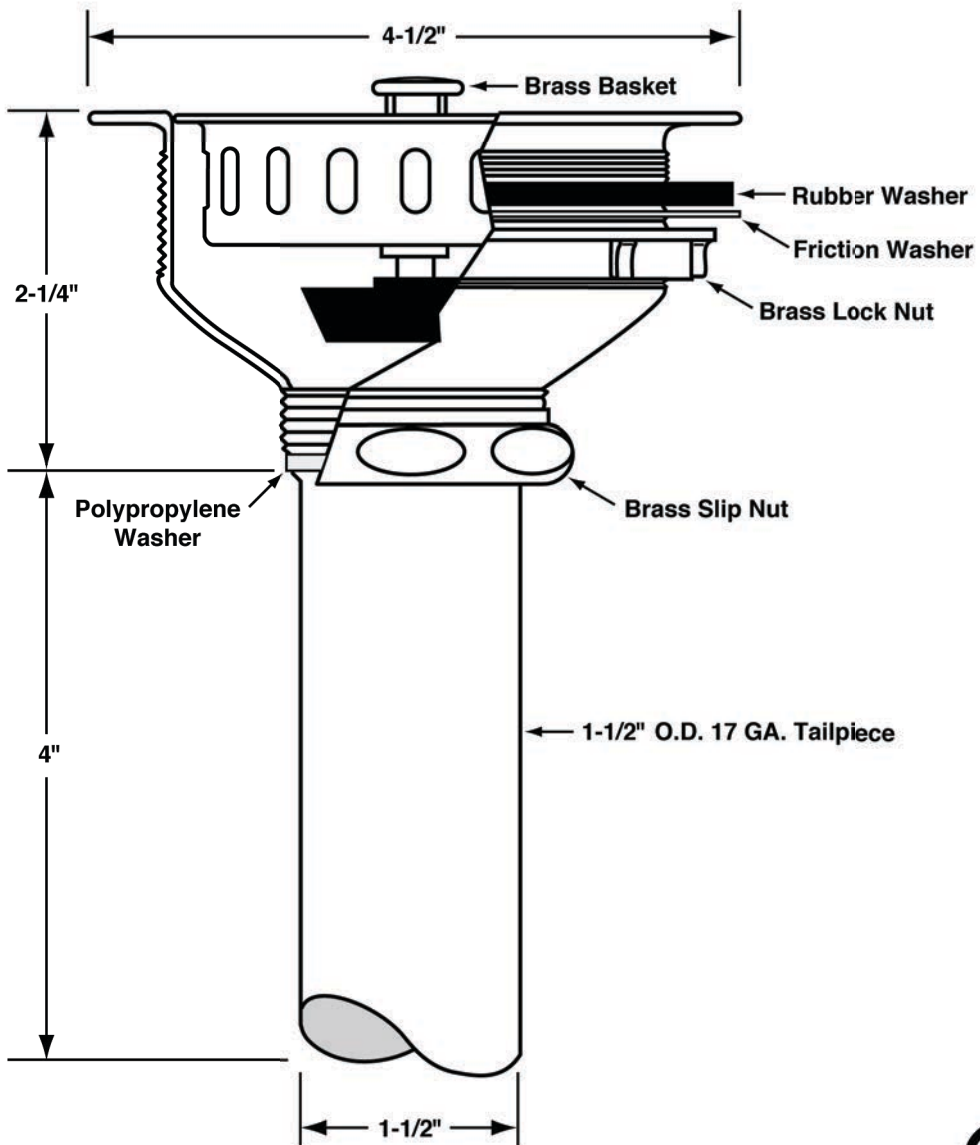
Part No.

151M

Brass Basket Strainer

Job Name:

Submittal Number:



ASME A112.18.2/CSA B125.2

See options and accessories section for details on product variations.

Specifications:

Heavy duty forged brass basket strainer with a polished and chrome plated brass strainer body, 1-1/2" x 4" seamless brass 17GA tailpiece, cast brass lock and coupling nuts. Fits sink thickness up to 5/8". Basket strainer in compliance with CSA or other recognized test authority and bear both manufacturer and testing mark.



WARNING:

This product can expose you to chemicals including lead, which is known to the State of California to cause cancer, and birth defects or other reproductive harm. For more information go to www.P65Warnings.ca.gov.



McGuire Manufacturing Co., Inc.

60 Grandview Court
Cheshire, Connecticut 06410
(203) 699-1801 Fax (203) 699-1813
customerservice@mcguiremfg.com mcguiremfg.com

PRODUCT SPECIFICATION

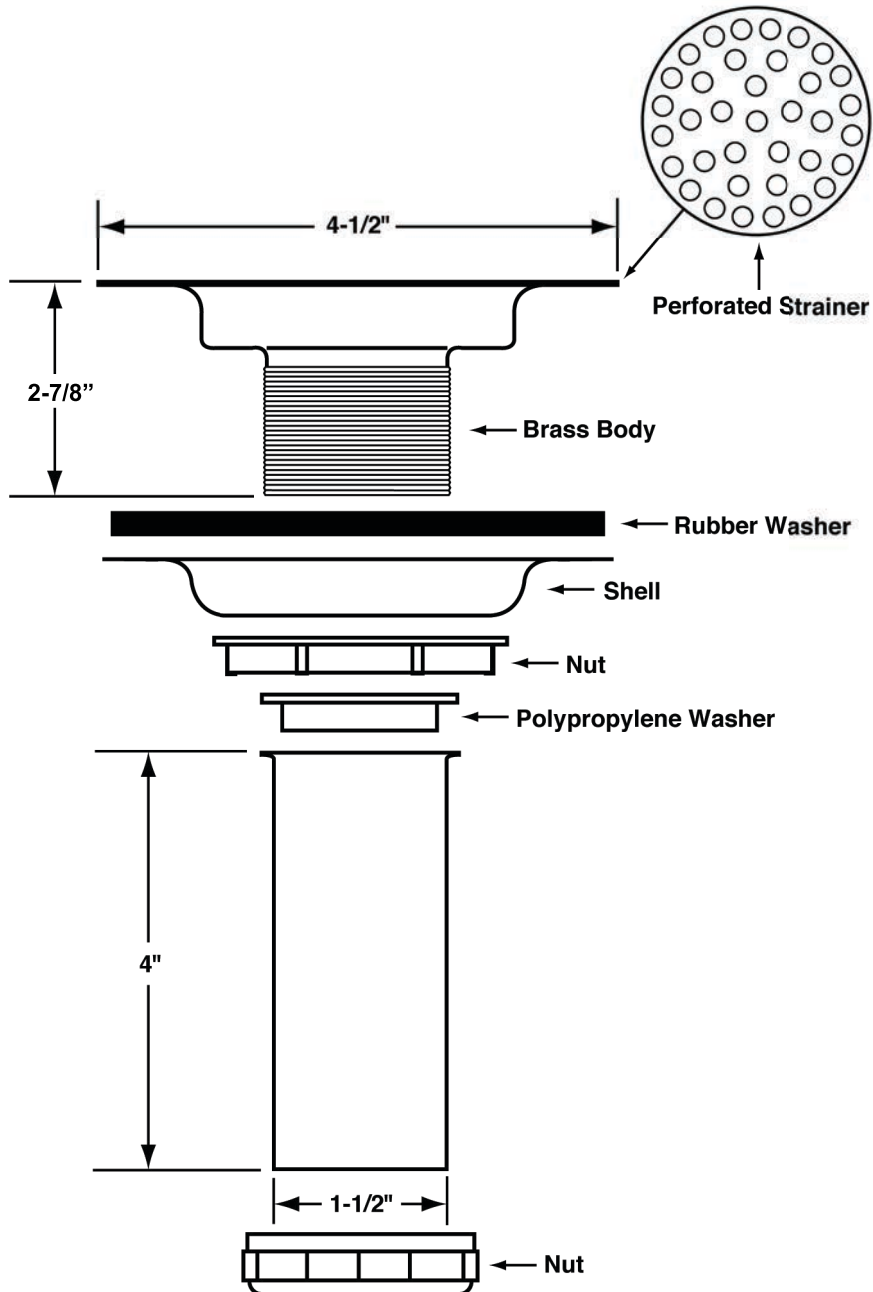
Part No.

152

Wide Top Sink
Strainer

Job Name:

Submittal Number:



See options and accessories section for details on product variations.

Specifications:

Wrought brass chrome plated flat grid sink strainer with 1-1/2" x 4" seamless brass tailpiece, cast brass lock and coupling nut. Fits sink thickness up to 1".



WARNING:

This product can expose you to chemicals including lead, which is known to the State of California to cause cancer, and birth defects or other reproductive harm. For more information go to www.P65Warnings.ca.gov.



McGuire Manufacturing Co., Inc.

60 Grandview Court
Cheshire, Connecticut 06410
(203) 699-1801 Fax (203) 699-1813
customerservice@mcguiremfg.com mcguiremfg.com

PRODUCT SPECIFICATION

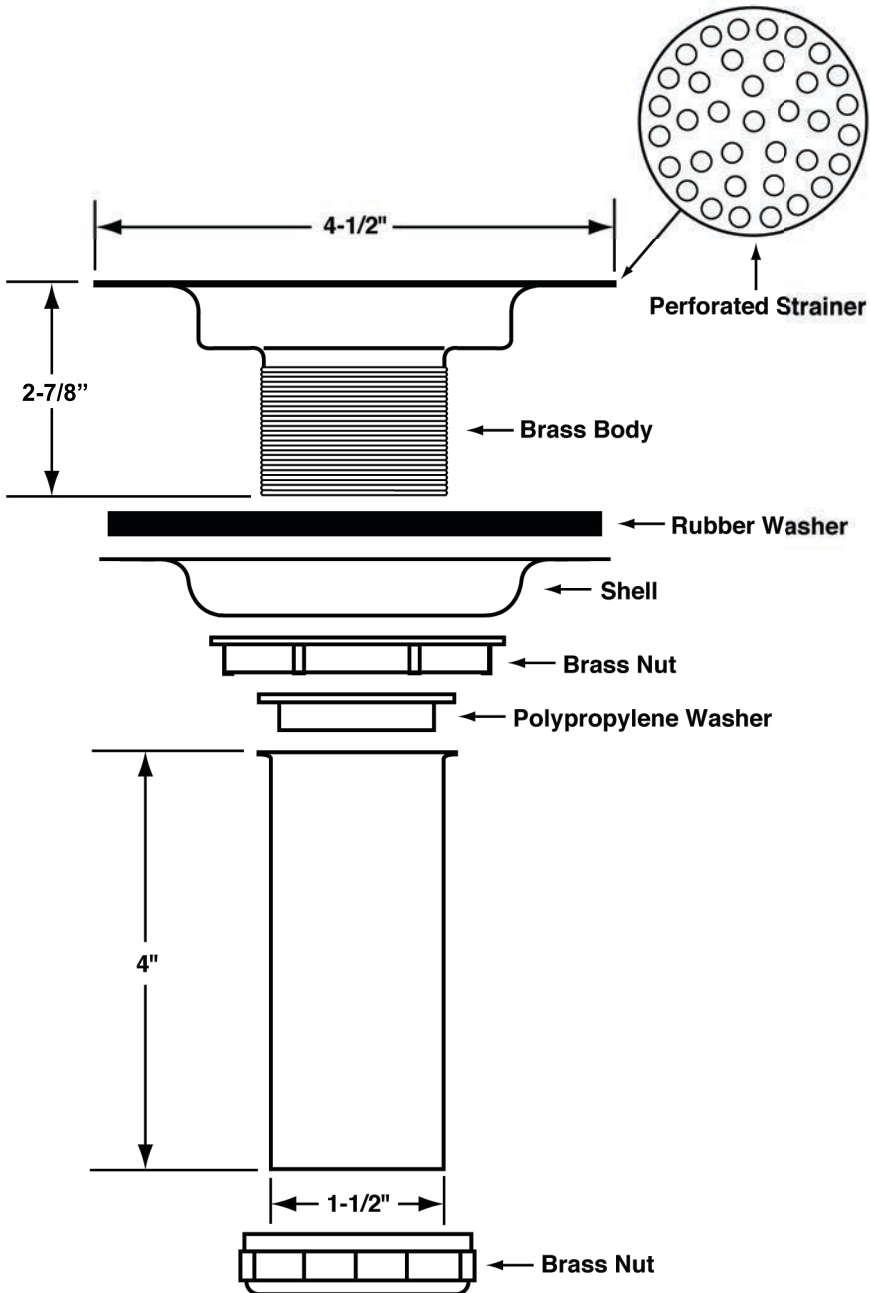
Part No.

152N

Wide Top Sink
Strainer

Job Name:

Submittal Number:



See options and accessories section for details on product variations.

Specifications:

Wrought brass chrome plated wide top sink strainer with 1-1/2" x 4" seamless brass tailpiece with brass attachment nuts. Fits sink thickness up to 5/8".



WARNING:

This product can expose you to chemicals including lead, which is known to the State of California to cause cancer, and birth defects or other reproductive harm. For more information go to www.P65Warnings.ca.gov.



McGuire Manufacturing Co., Inc.

60 Grandview Court
Cheshire, Connecticut 06410
(203) 699-1801 Fax (203) 699-1813
customerservice@mcguiremfg.com mcguiremfg.com

PRODUCT SPECIFICATION

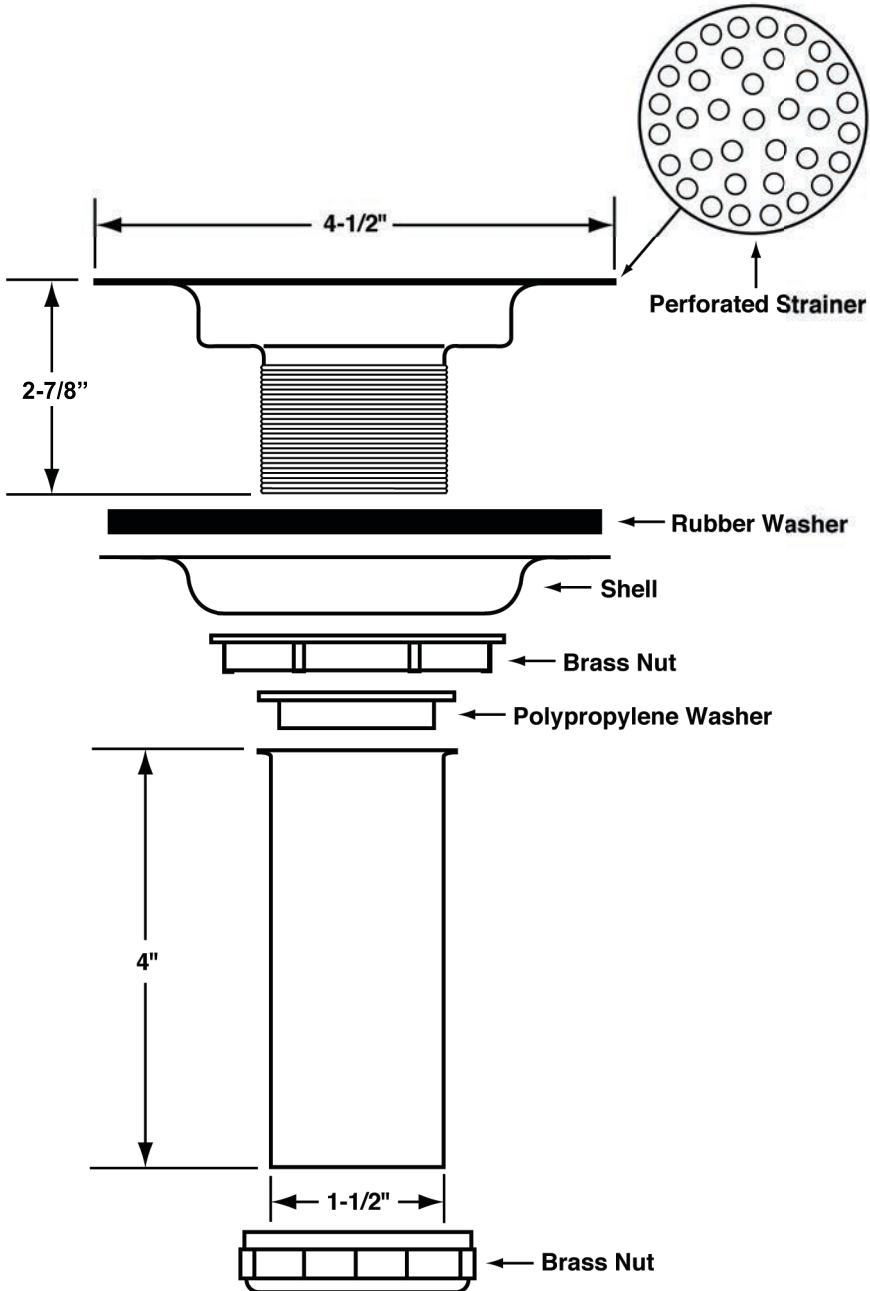
Part No.

152NSS

Type 304 Stainless Steel Wide
Top Sink Strainer

Job Name:

Submittal Number:



Specifications:

Type 304 stainless steel wide top sink strainer with 1-1/2" x 4" seamless brass tailpiece with brass attachment nuts. Fits sink thickness up to 5/8".



WARNING:

This product can expose you to chemicals including lead, which is known to the State of California to cause cancer, and birth defects or other reproductive harm. For more information go to www.P65Warnings.ca.gov.



McGuire Manufacturing Co., Inc.

60 Grandview Court
 Cheshire, Connecticut 06410
 (203) 699-1801 Fax (203) 699-1813
 customerservice@mcguiremfg.com mcguiremfg.com

PRODUCT SPECIFICATION

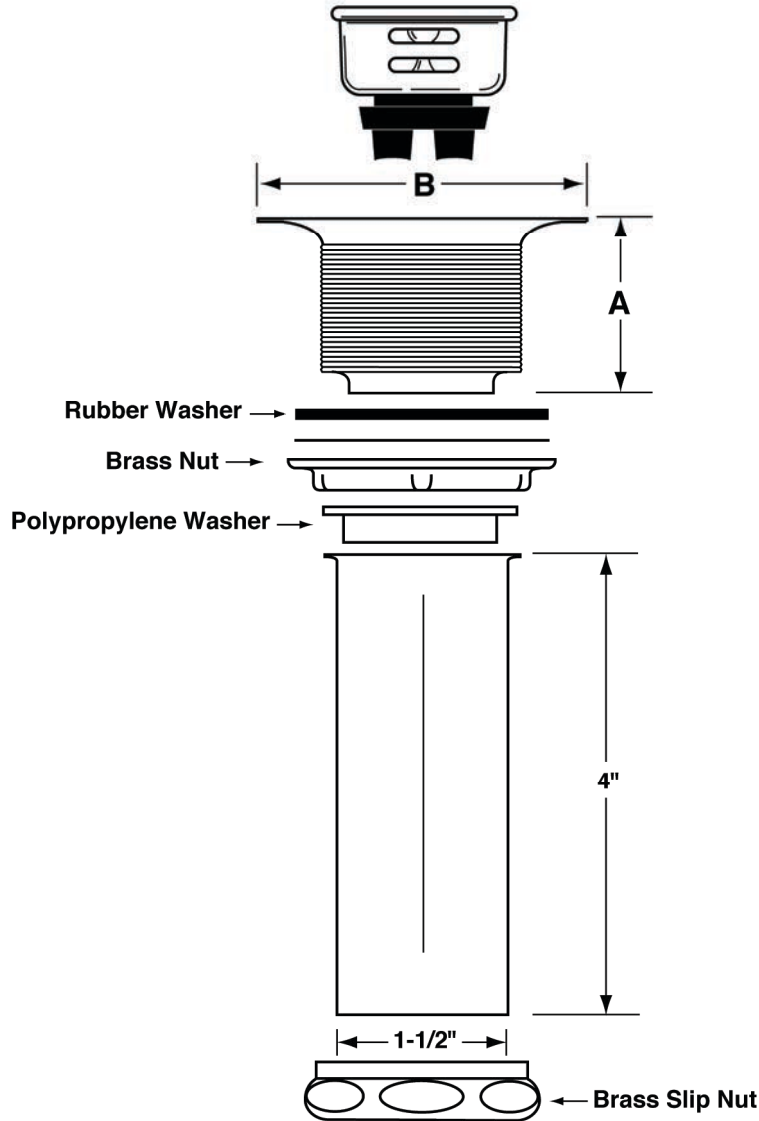
Part No.

153, 154

Bar Sink Strainer

Job Name:

Submittal Number:



MODEL NO.	DESCRIPTION	A	B
153	Bar Sink Strainer	1-5/8"	2-3/4"
154	Deep Bar Sink Strainer	2-3/4"	2-7/8"

See options and accessories section for details on product variations.

Specifications:

Wrought brass chrome plated bar sink strainer with 1-1/2" x 4" seamless brass tailpiece, cast brass lock and coupling nut. Fits sink thickness up to 1/2".



WARNING:

This product can expose you to chemicals including lead, which is known to the State of California to cause cancer, and birth defects or other reproductive harm. For more information go to www.P65Warnings.ca.gov.



McGuire Manufacturing Co., Inc.

60 Grandview Court
Cheshire, Connecticut 06410
(203) 699-1801 Fax (203) 699-1813
customerservice@mcguiremfg.com mcguiremfg.com

PRODUCT SPECIFICATION

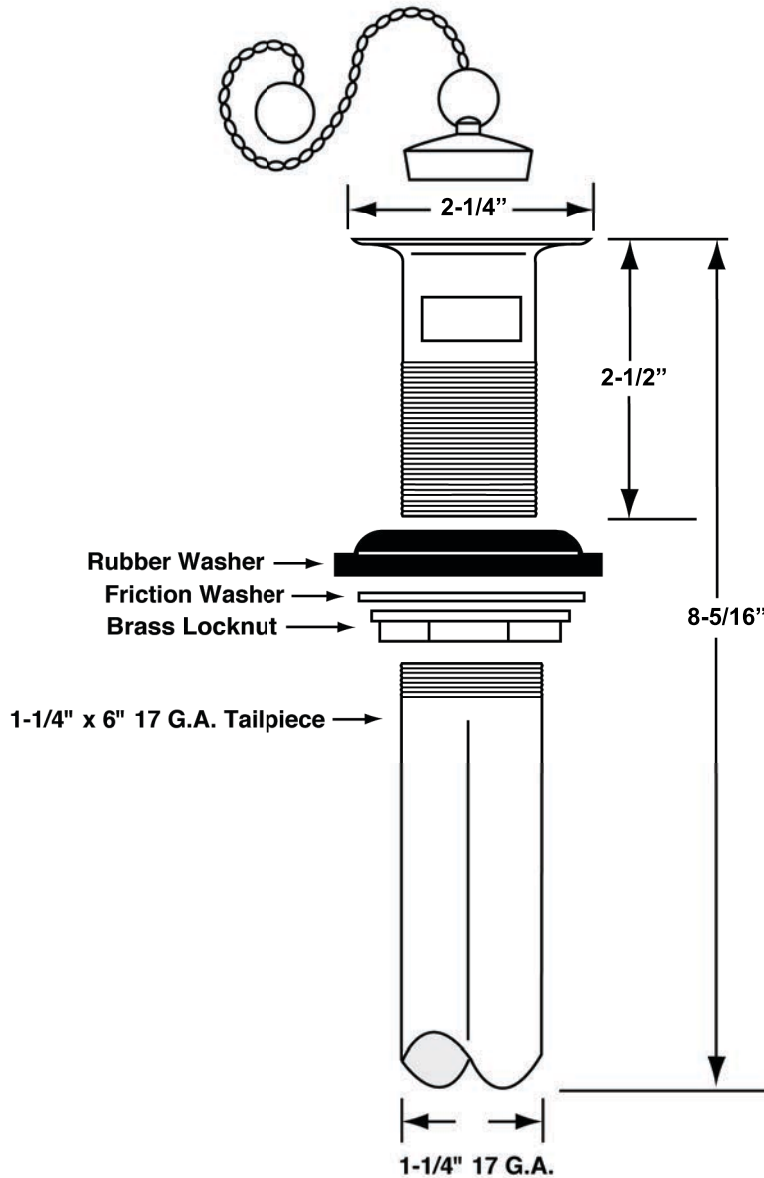
Part No.

155

P.O. Plug w/Chain
& Rubber Stopper

Job Name:

Submittal Number:



See options and accessories section for details on product variations.

Specifications:

Cast Brass Chrome Plated Chain and Rubber Stopper P.O. Plug with cast brass follower, chain and rubber stopper and 1-1/4" x 6" 17 gauge seamless brass tailpiece.



WARNING:

This product can expose you to chemicals including lead, which is known to the State of California to cause cancer, and birth defects or other reproductive harm. For more information go to www.P65Warnings.ca.gov.



McGuire Manufacturing Co., Inc.

60 Grandview Court
Cheshire, Connecticut 06410
(203) 699-1801 Fax (203) 699-1813
customerservice@mcguiremfg.com mcguiremfg.com

PRODUCT SPECIFICATION

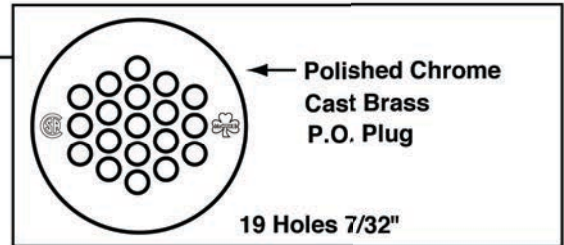
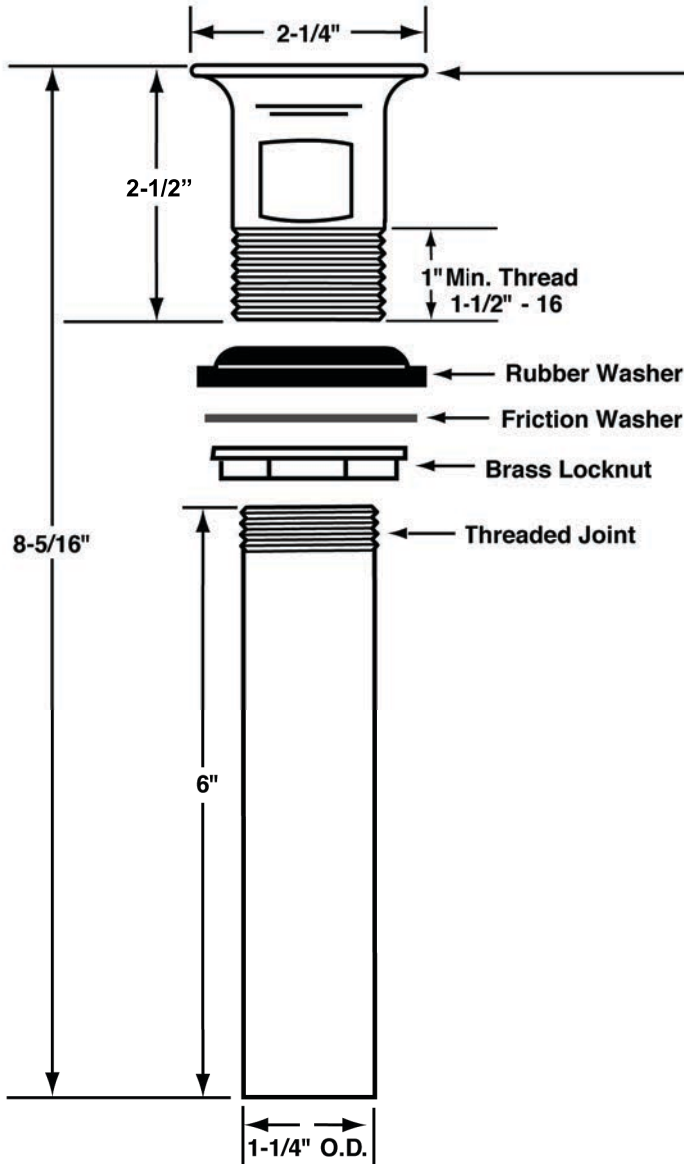
Part No.

155A

Open Grid P.O. Plug

Job Name:

Submittal Number:



19 Holes 7/32"

Polished Chrome
Cast Brass
P.O. Plug

See options and accessories section for details on product variations


ASME A112.18.2/CSA B125.2

Specifications:

Cast brass chrome plated open grid P.O. plug with 17GA 1-1/4" x 6" seamless brass tailpiece, brass lock nut, heavy rubber basin washer and fiber friction washer. P.O. plug shall be in compliance with CSA or other recognized testing authority and bear both manufacturer and testing mark.

WARNING:

This product can expose you to chemicals including lead, which is known to the State of California to cause cancer, and birth defects or other reproductive harm. For more information go to www.P65Warnings.ca.gov.



McGuire Manufacturing Co., Inc.

60 Grandview Court
Cheshire, Connecticut 06410
(203) 699-1801 Fax (203) 699-1813
customerservice@mcguiremfg.com mcguiremfg.com

PRODUCT SPECIFICATION

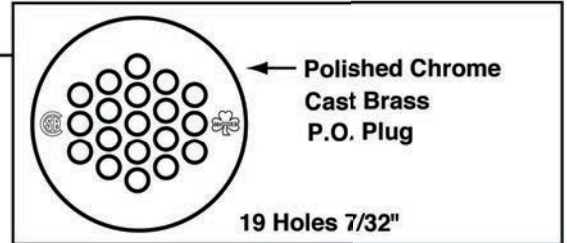
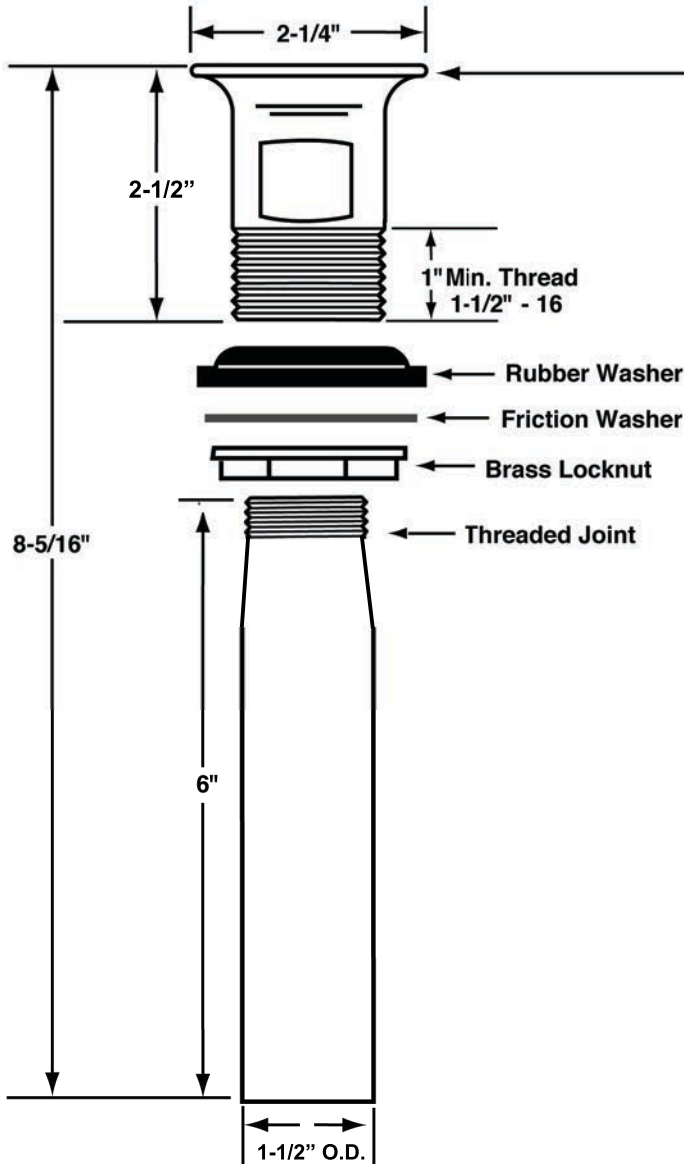
Part No.

155A2

Open Grid P.O. Plug

Job Name:

Submittal Number:



ASME A112.18.2/CSA B125.2

Specifications:

Cast brass chrome plated open grid P.O. plug with 17GA 1-1/2" x 6" seamless brass tailpiece, brass lock nut, heavy rubber basin washer and fiber friction washer. P.O. plug shall be in compliance with CSA or other recognized testing authority and bear both manufacturer and testing mark.



WARNING:

This product can expose you to chemicals including lead, which is known to the State of California to cause cancer, and birth defects or other reproductive harm. For more information go to www.P65Warnings.ca.gov.



McGuire Manufacturing Co., Inc.

60 Grandview Court
Cheshire, Connecticut 06410
(203) 699-1801 Fax (203) 699-1813
customerservice@mcguiremfg.com mcguiremfg.com

PRODUCT SPECIFICATION

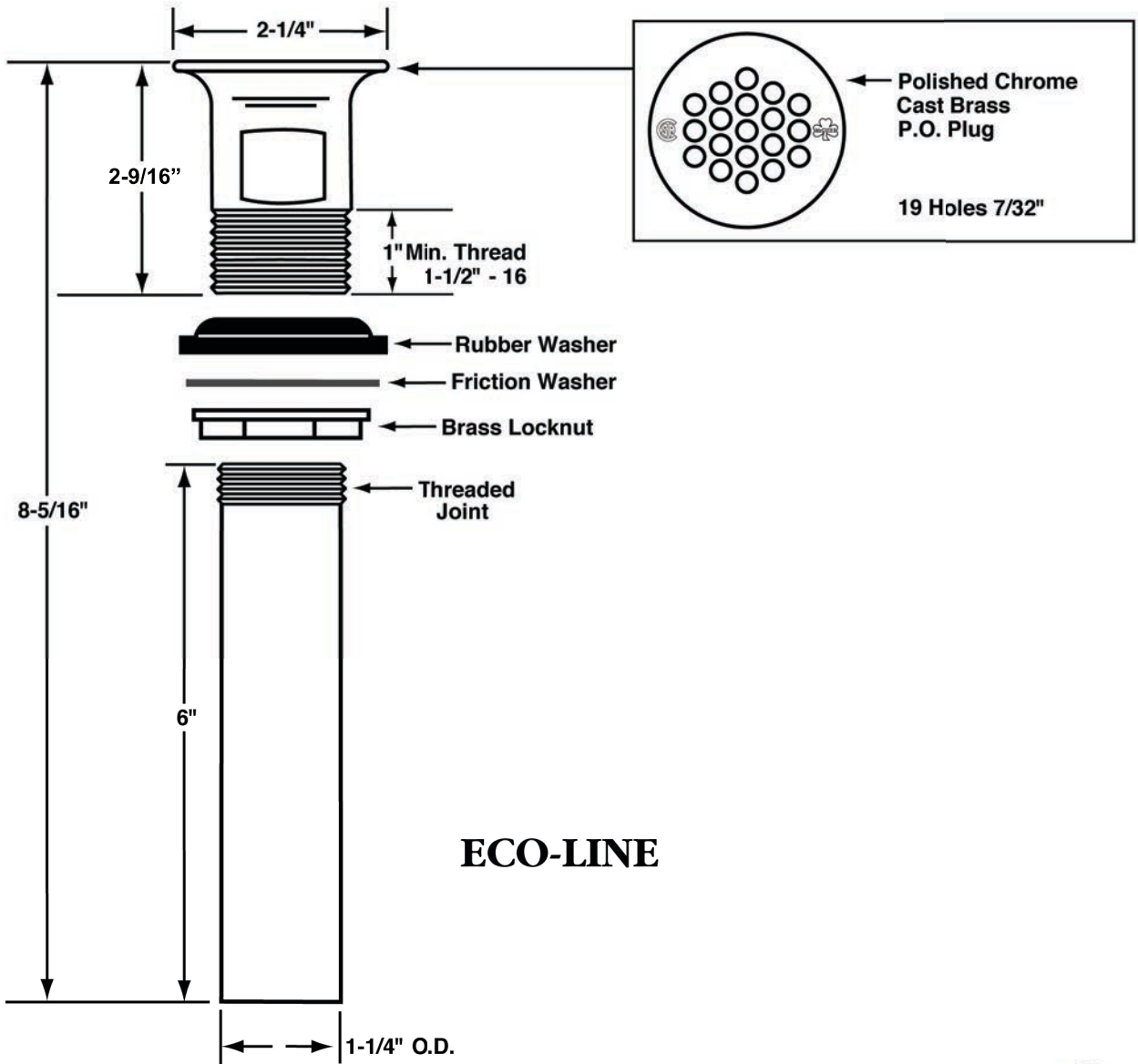
Part No.

155AECO

Open Grid P.O. Plug

Job Name:

Submittal Number:



ASME A112.18.2/CSA B125.2

Specifications:

Cast Brass Chrome Plated Open Grid P.O. Plug with 17 gauge 1-1/4" x 6" seamless brass tailpiece, brass lock nut, heavy rubber basin washer and fiber friction washer. Drain shall be in compliance with CSA or other recognized testing authority and bear both manufacturer and testing mark.



WARNING:

This product can expose you to chemicals including lead, which is known to the State of California to cause cancer, and birth defects or other reproductive harm. For more information go to www.P65Warnings.ca.gov.



McGuire Manufacturing Co., Inc.

60 Grandview Court
Cheshire, Connecticut 06410
(203) 699-1801 Fax (203) 699-1813
customerservice@mcguiremfg.com mcguiremfg.com

PRODUCT SPECIFICATION

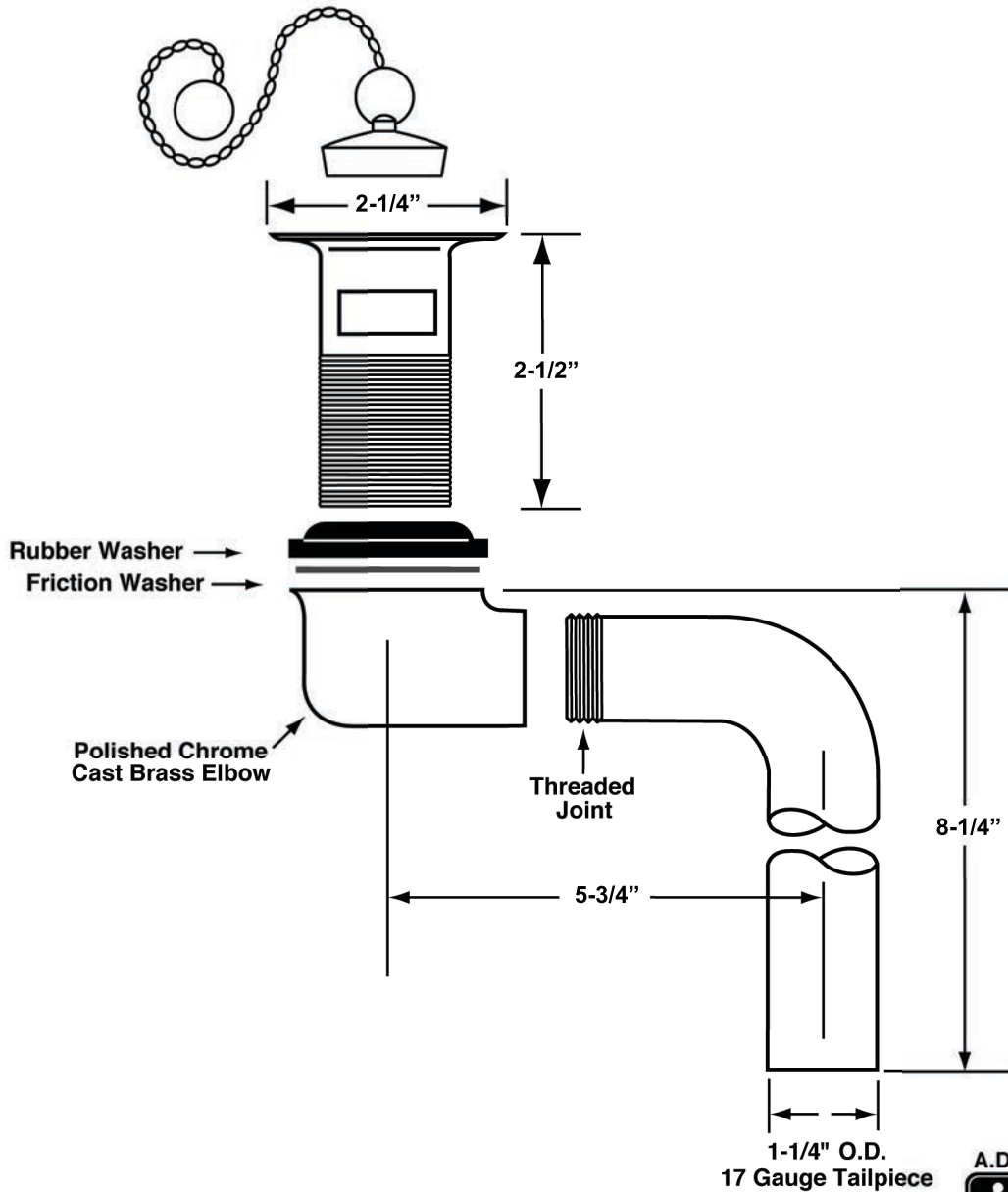
Part No.

155CRSWC

**Offset P.O. Plug w/Chain
& Rubber Stopper**

Job Name:

Submittal Number:



A.D.A.



ASME A112.18.2/CSA B125.2

Specifications:

Cast Brass Chrome Plated Chain and Rubber Stopper Offset Wheelchair Strainer with polished chrome cast brass elbow, 1-1/4" 17 gauge seamless brass offset tailpiece, heavy rubber basin washer and fiber friction washer. Offset lavatory strainer shall be in compliance with CSA or other recognized testing authority and bear both manufacturer and testing mark.



WARNING:

This product can expose you to chemicals including lead, which is known to the State of California to cause cancer, and birth defects or other reproductive harm. For more information go to www.P65Warnings.ca.gov.



McGuire Manufacturing Co., Inc.

60 Grandview Court
Cheshire, Connecticut 06410
(203) 699-1801 Fax (203) 699-1813
customerservice@mcguiremfg.com mcguiremfg.com

PRODUCT SPECIFICATION

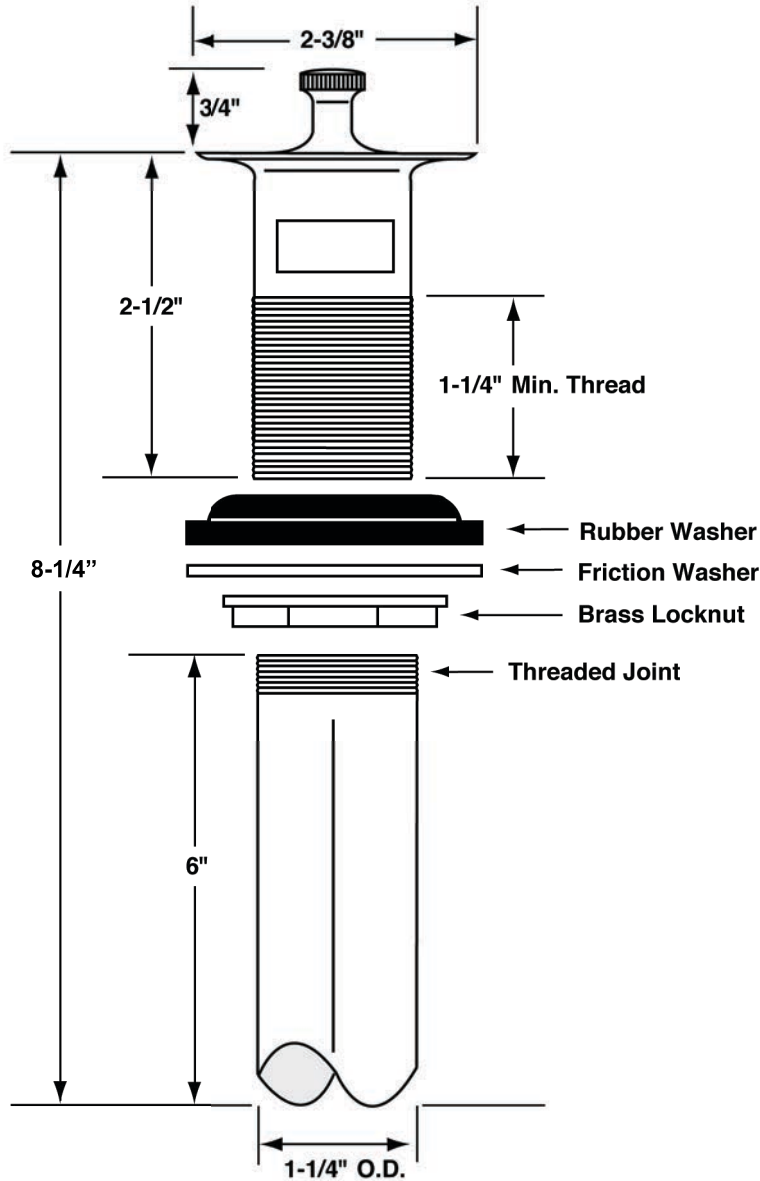
Part No.

155LAT

Lift and Turn P.O. Plug

Job Name:

Submittal Number:



See options and accessories section for details on product variations.

ASME A112.18.2/CSA B125.2



Specifications:

Cast Brass Chrome Plated Lift and Turn P.O. Plug with cast brass follower and 1-1/4" x 6" 17 gauge seamless brass tailpiece. Fits sink thickness up to 2-1/4".



WARNING:

This product can expose you to chemicals including lead, which is known to the State of California to cause cancer, and birth defects or other reproductive harm. For more information go to www.P65Warnings.ca.gov.



McGuire Manufacturing Co., Inc.

60 Grandview Court

Cheshire, Connecticut 06410

(203) 699-1801 Fax (203) 699-1813

customerservice@mcguiremfg.com mcguiremfg.com

PRODUCT SPECIFICATION

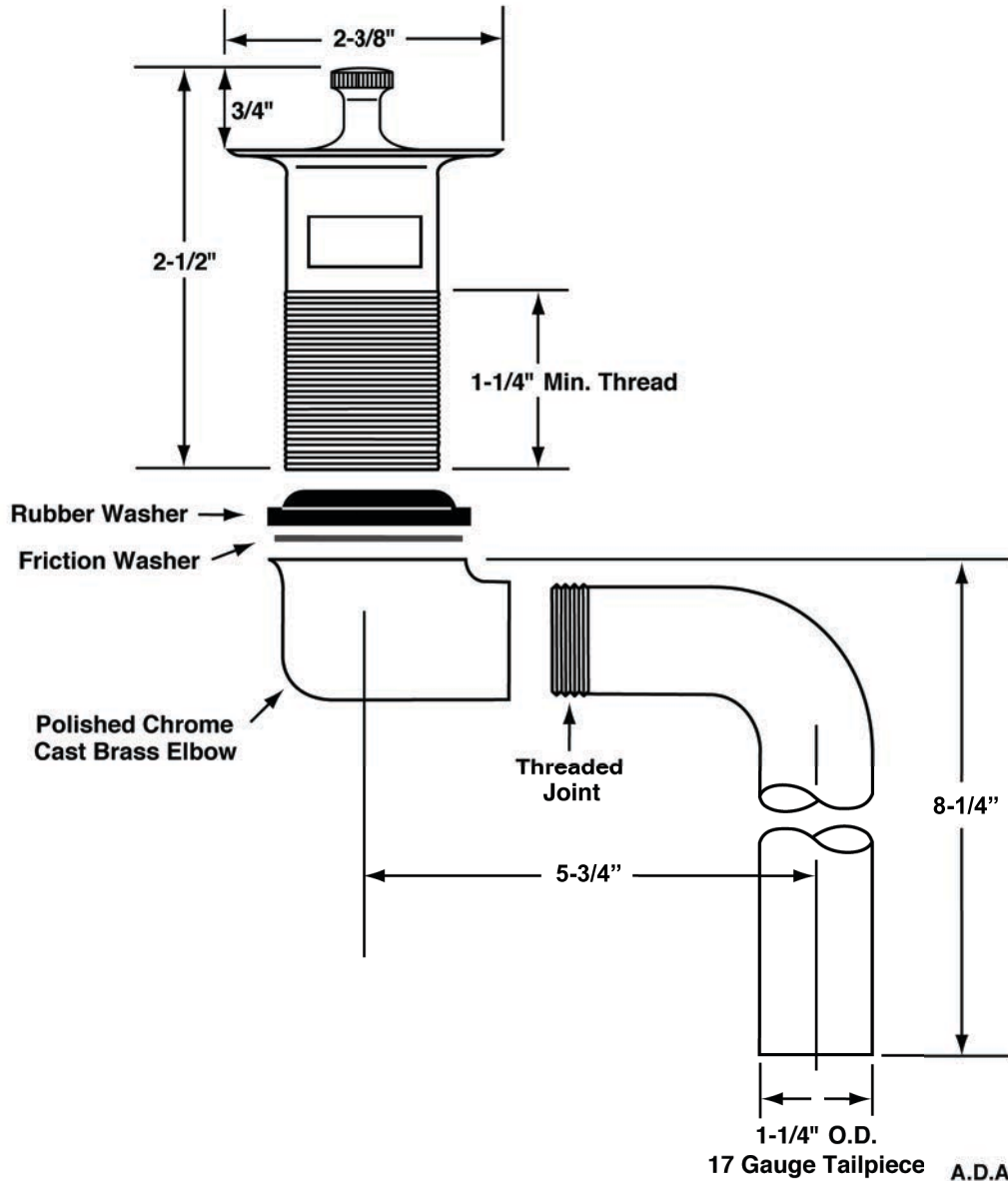
Part No.

155LATWC

**Offset Lift and Turn
P.O. Plug**

Job Name:

Submittal Number:



A.D.A.



ASME A112.18.2CSA B125.2

Specifications:

Cast Brass Chrome Plated Lift and Turn Offset Wheelchair Strainer with polished chrome cast brass elbow, 1-1/4" 17 gauge seamless brass offset tailpiece, heavy rubber basin washer and fiber friction washer. Offset lavatory strainer shall be in compliance with CSA or other recognized testing authority and bear both manufacturer and testing mark.



WARNING:

This product can expose you to chemicals including lead, which is known to the State of California to cause cancer, and birth defects or other reproductive harm. For more information go to www.P65Warnings.ca.gov.



McGuire Manufacturing Co., Inc.

60 Grandview Court
Cheshire, Connecticut 06410
(203) 699-1801 Fax (203) 699-1813
customerservice@mcguiremfg.com mcguiremfg.com

PRODUCT SPECIFICATION

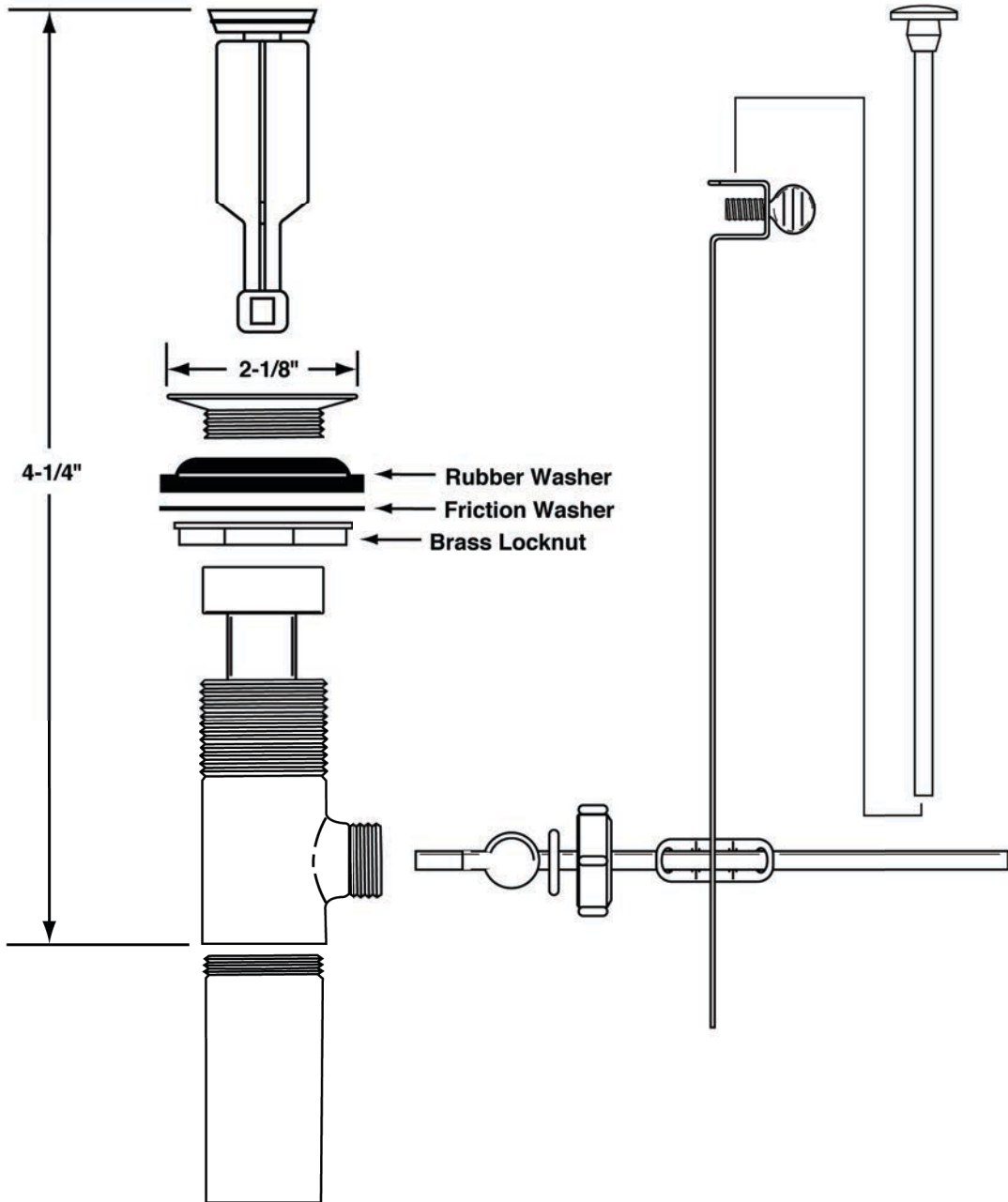
Part No.

155MP

Pop Up P.O. Plug

Job Name:

Submittal Number:



See options and accessories section for details on product variations.

Specifications:

Cast brass chrome plated Pop Up P.O. Plug with cast brass follower, 1-1/4" x 6" 17GA seamless brass tailpiece and cast brass lock nut. Fits sink thickness up to 2".

WARNING:

This product can expose you to chemicals including lead, which is known to the State of California to cause cancer, and birth defects or other reproductive harm. For more information go to www.P65Warnings.ca.gov.



McGuire Manufacturing Co., Inc.

60 Grandview Court
Cheshire, Connecticut 06410
(203) 699-1801 Fax (203) 699-1813
customerservice@mcguiremfg.com mcguiremfg.com

PRODUCT SPECIFICATION

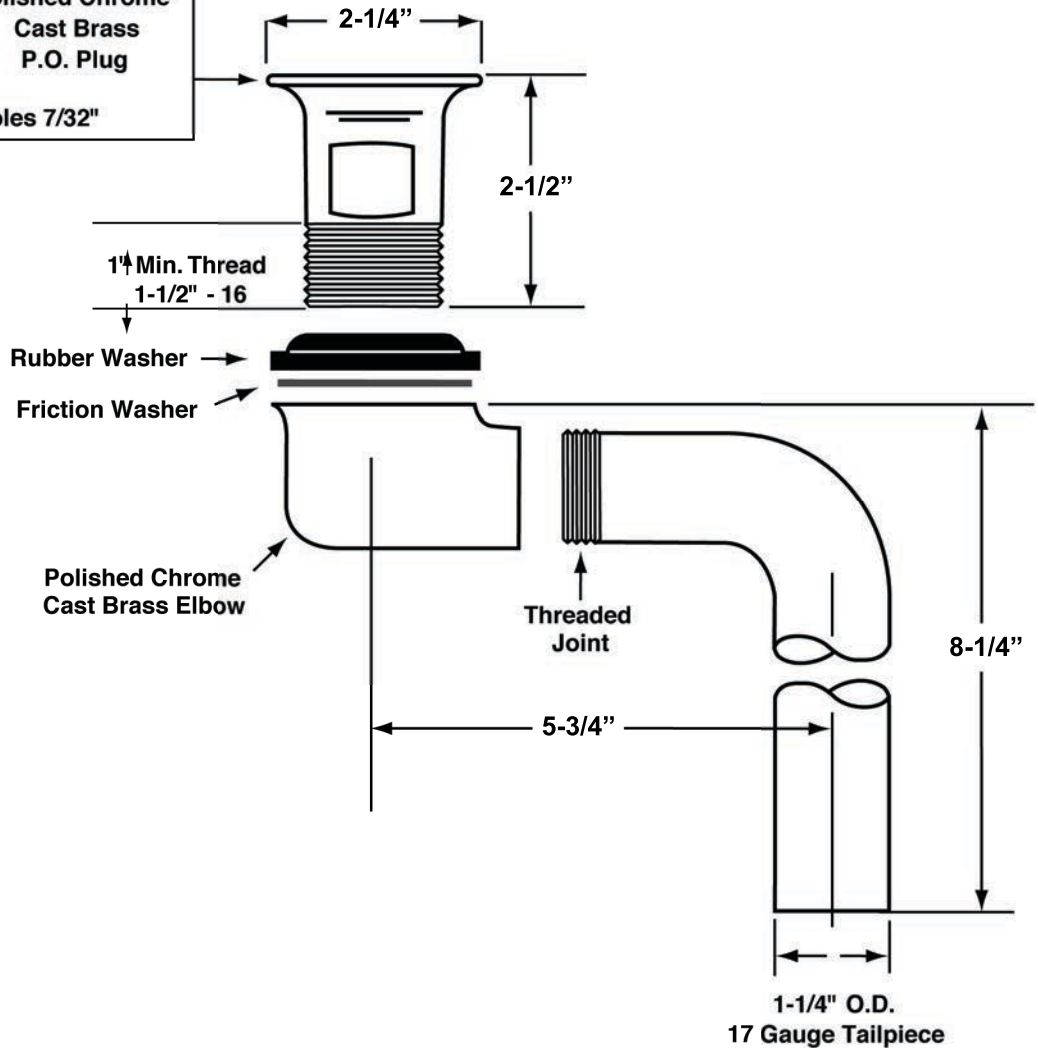
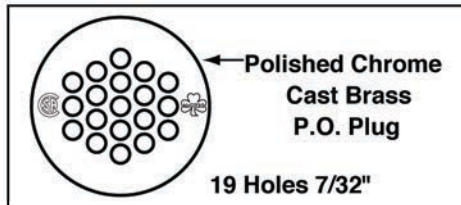
Part No.

155WC

Offset Lavatory Grid Strainer

Job Name:

Submittal Number:



A.D.A.



ASME A112.18.2/CSA B125.2

Specifications:

Cast brass chrome plated offset wheelchair strainer with polished chrome cast brass elbow, 17GA 1-1/4" seamless brass offset tailpiece, rubber basin washer and fiber friction washer. Offset lavatory strainer shall be in compliance with CSA or other recognized testing authority and bear both manufacturer and testing mark.



WARNING:

This product can expose you to chemicals including lead, which is known to the State of California to cause cancer, and birth defects or other reproductive harm. For more information go to www.P65Warnings.ca.gov.



McGuire Manufacturing Co., Inc.

60 Grandview Court
Cheshire, Connecticut 06410
(203) 699-1801 Fax (203) 699-1813
customerservice@mcguiremfg.com mcguiremfg.com

PRODUCT SPECIFICATION

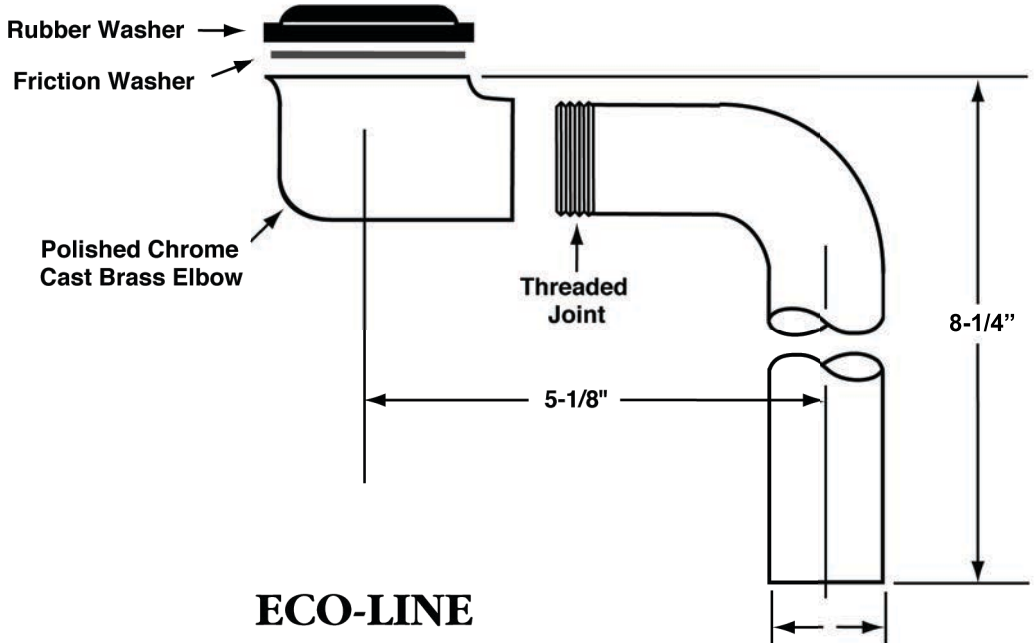
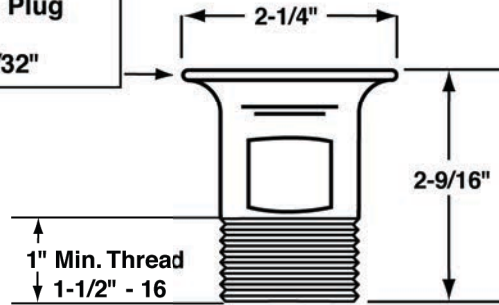
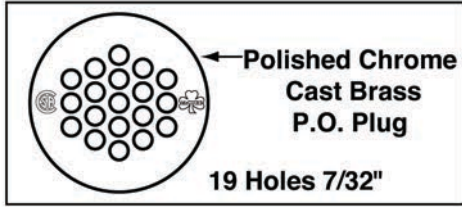
Part No.

155WCECO

**Offset Lavatory
Grid Strainer**

Job Name:

Submittal Number:



ECO-LINE

1-1/4" O.D.
17 Gauge Tailpiece

A.D.A.



ASME A112.18.2/CSA B125.2

Specifications:

Cast Brass Chrome Plated Offset Wheelchair Strainer with polished chrome cast brass elbow, 17 gauge 1-1/4 inch seamless brass offset tailpiece, heavy rubber basin washer and fiber friction washer. Offset lavatory strainer shall be in compliance with CSA or other recognized testing authority and bear both manufacturer and testing mark.



WARNING:

This product can expose you to chemicals including lead, which is known to the State of California to cause cancer, and birth defects or other reproductive harm. For more information go to www.P65Warnings.ca.gov.



McGuire Manufacturing Co., Inc.

60 Grandview Court
Cheshire, Connecticut 06410
(203) 699-1801 Fax (203) 699-1813
customerservice@mcguiremfg.com mcguiremfg.com

PRODUCT SPECIFICATION

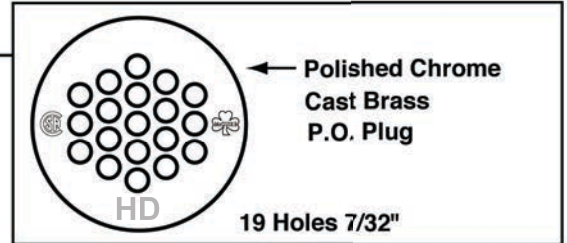
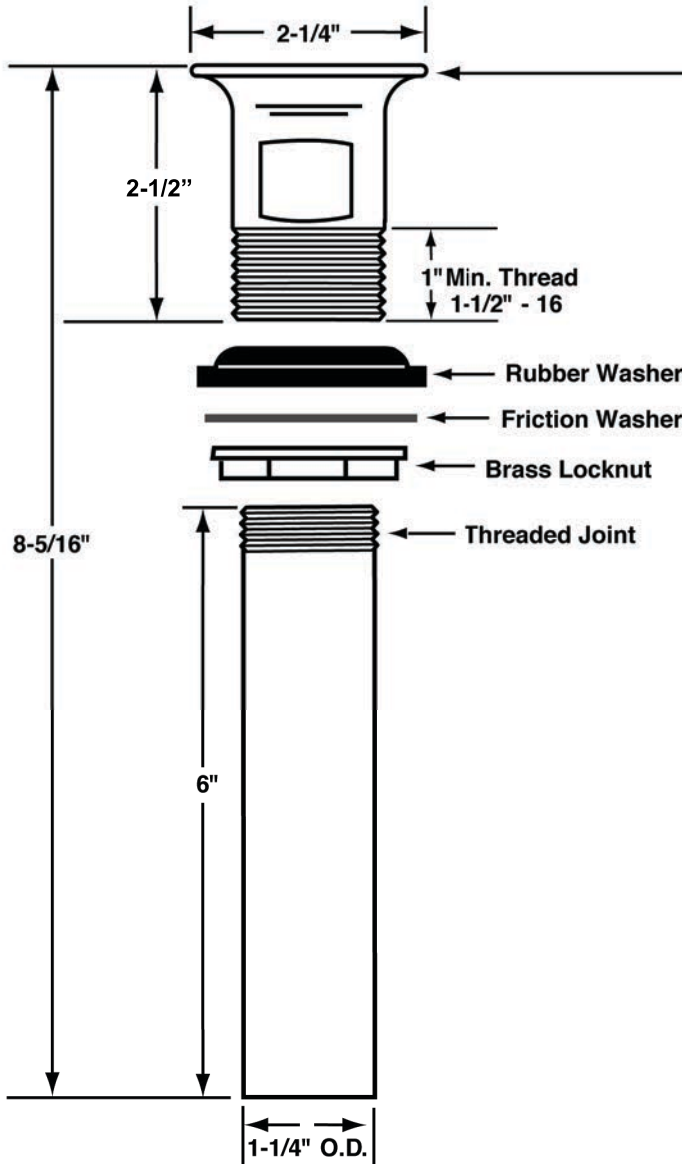
Part No.

HD155A

**Open Grid P.O Plug
Heavy Duty Finish**

Job Name:

Submittal Number:



ASME A112.18.2/CSA B125.2

Specifications:

Cast brass heavy duty finish chrome plated open grid P.O. plug with 17GA 1-1/4" x 6" seamless brass tailpiece, brass lock nut, heavy rubber basin washer and fiber friction washer. P.O. plug shall be in compliance with CSA or other recognized testing authority and bear both manufacturer and testing mark.



WARNING:

This product can expose you to chemicals including lead, which is known to the State of California to cause cancer, and birth defects or other reproductive harm. For more information go to www.P65Warnings.ca.gov.



McGuire Manufacturing Co., Inc.

60 Grandview Court
Cheshire, Connecticut 06410
(203) 699-1801 Fax (203) 699-1813
customerservice@mcguiremfg.com mcguiremfg.com

PRODUCT SPECIFICATION

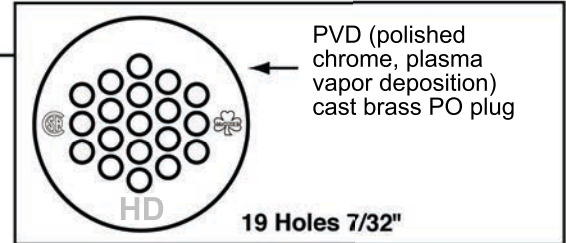
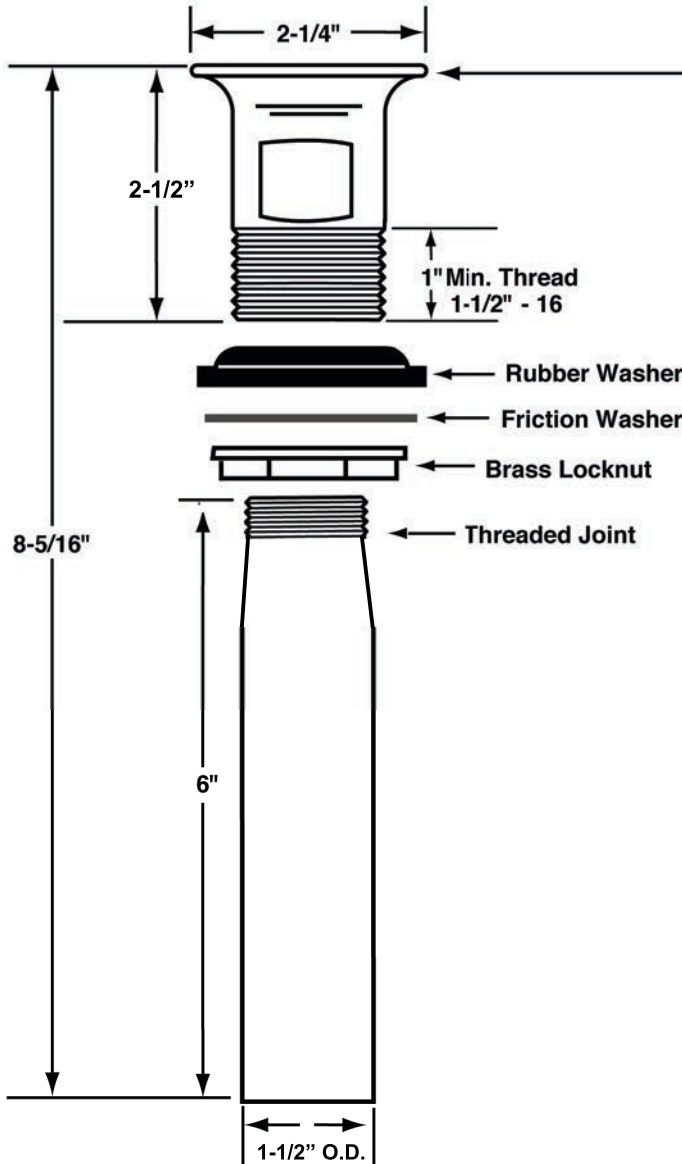
Part No.

HD155A2

**Open Grid P.O. Plug
Heavy Duty Finish**

Job Name:

Submittal Number:



ASME A112.18.2/CSA B125.2

Specifications:

Cast brass heavy duty finish chrome plated open grid P.O. plug with 17GA 1-1/2" x 6" seamless brass tailpiece, brass lock nut, heavy rubber basin washer and fiber friction washer. P.O. plug shall be in compliance with CSA or other recognized testing authority and bear both manufacturer and testing mark.



WARNING:

This product can expose you to chemicals including lead, which is known to the State of California to cause cancer, and birth defects or other reproductive harm. For more information go to www.P65Warnings.ca.gov.



McGuire Manufacturing Co., Inc.

60 Grandview Court
Cheshire, Connecticut 06410
(203) 699-1801 Fax (203) 699-1813
customerservice@mcguiremfg.com mcguiremfg.com

PRODUCT SPECIFICATION

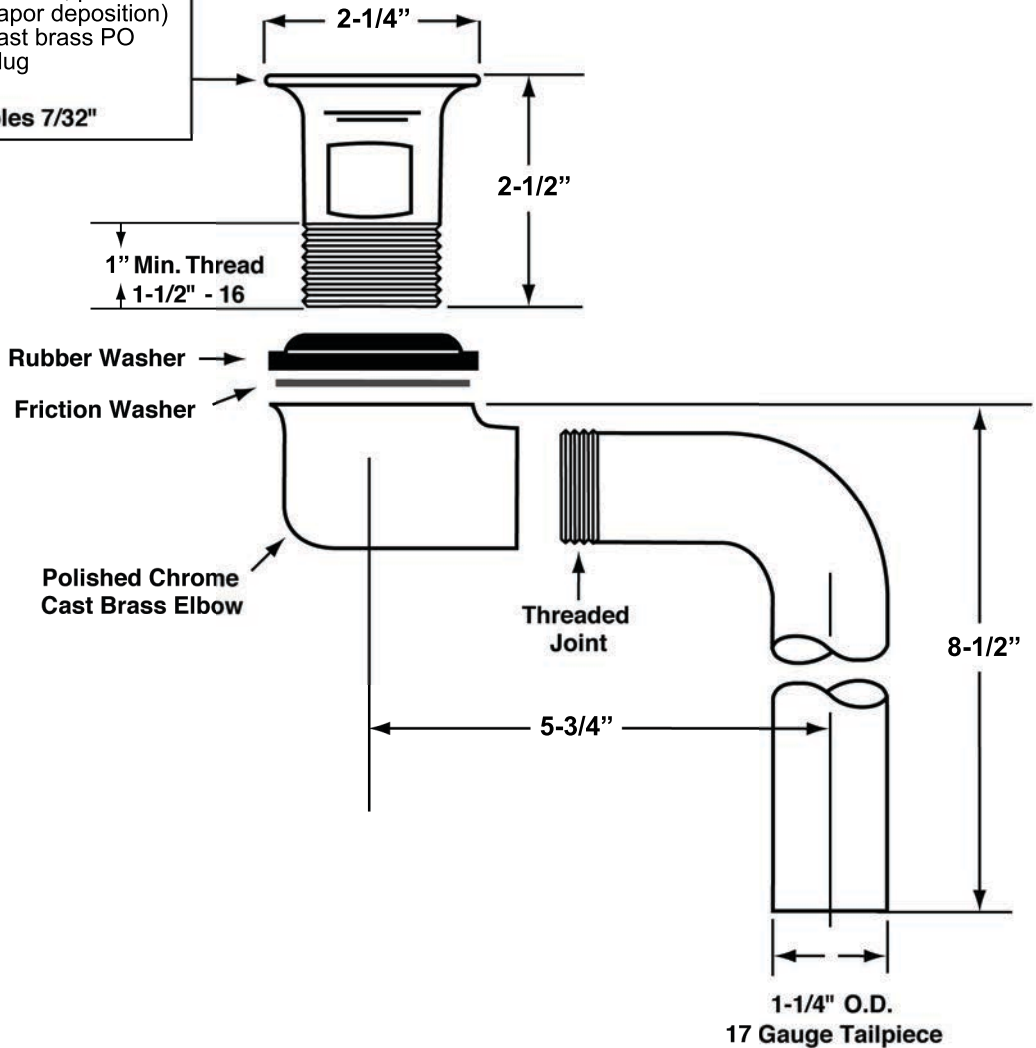
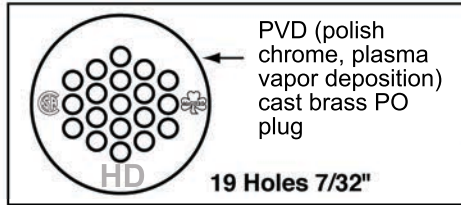
Part No.

HD155WC

**Offset Lavatory Grid Strainer
Heavy Duty Finish**

Job Name:

Submittal Number:



A.D.A.



ASME A112.18.2/CSA B125.2

Specifications:

Cast Brass Heavy Duty Finish Chrome Plated Offset Wheelchair Strainer with polished chrome cast brass elbow, 17 gauge 1-1/4 inch seamless brass offset tailpiece, heavy rubber basin washer and fiber friction washer. Offset lavatory strainer shall be in compliance with CSA or other recognized testing authority and bear both manufacturer and testing mark.



WARNING:

This product can expose you to chemicals including lead, which is known to the State of California to cause cancer, and birth defects or other reproductive harm. For more information go to www.P65Warnings.ca.gov.



McGuire Manufacturing Co., Inc.

60 Grandview Court

Cheshire, Connecticut 06410

(203) 699-1801 Fax (203) 699-1813

customerservice@mcguiremfg.com mcguiremfg.com

PRODUCT SPECIFICATION

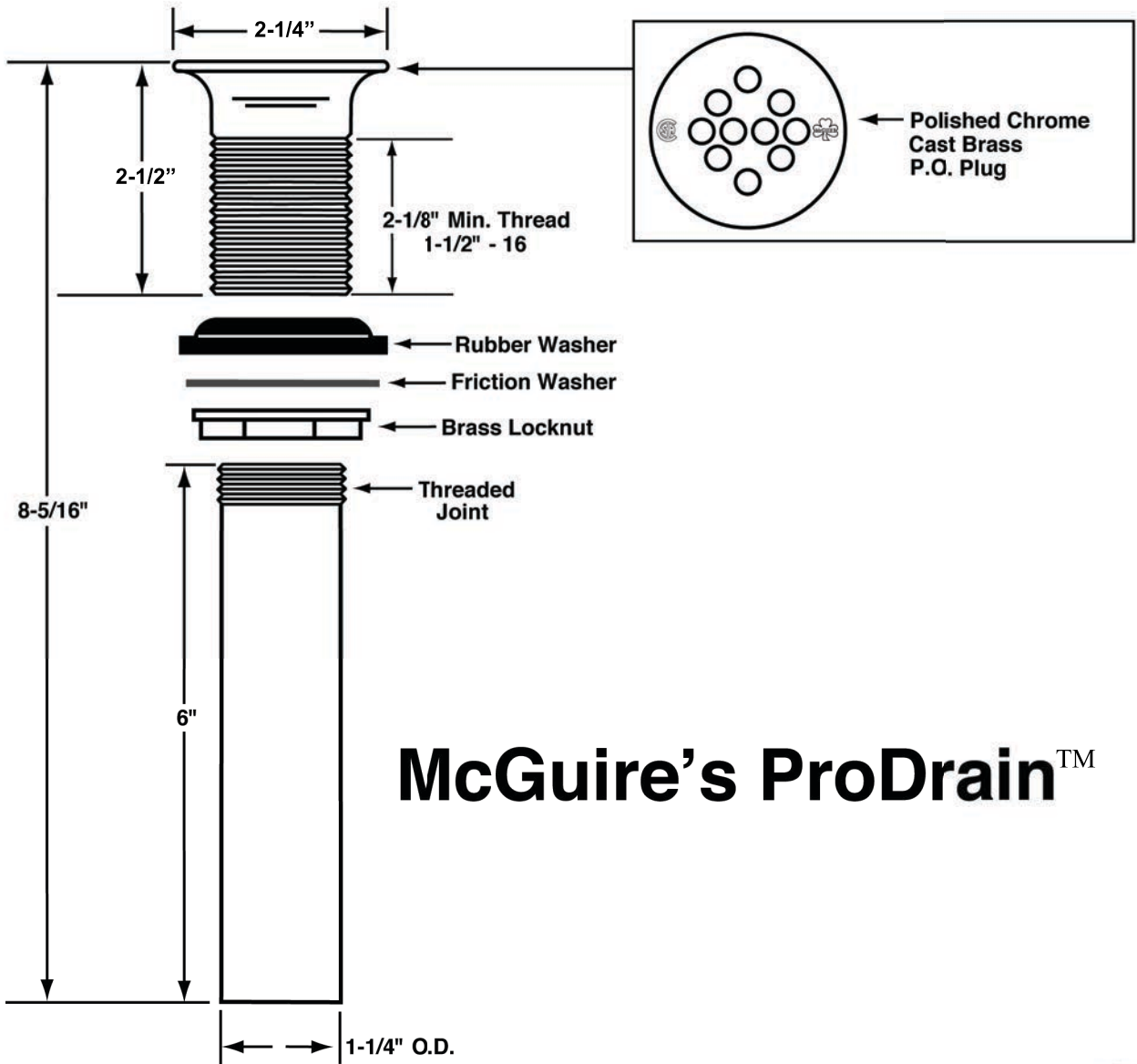
Part No.

ProDrain

**Grid Drain
less overflow**

Job Name:

Submittal Number:



McGuire's ProDrain™



ASME A112.18.2/CSA B125.2

Specifications:

Cast Brass Chrome Plated Grid Drain less overflow with 17 gauge 1-1/4" x 6" seamless brass tailpiece, brass lock nut, heavy rubber basin washer and fiber friction washer. Drain shall be in compliance with CSA or other recognized testing authority and bear both manufacturer and testing mark.



WARNING:

This product can expose you to chemicals including lead, which is known to the State of California to cause cancer, and birth defects or other reproductive harm. For more information go to www.P65Warnings.ca.gov.



McGuire Manufacturing Co., Inc.

60 Grandview Court

Cheshire, Connecticut 06410

(203) 699-1801 Fax (203) 699-1813

customerservice@mcguiremfg.com mcguiremfg.com

PRODUCT SPECIFICATION

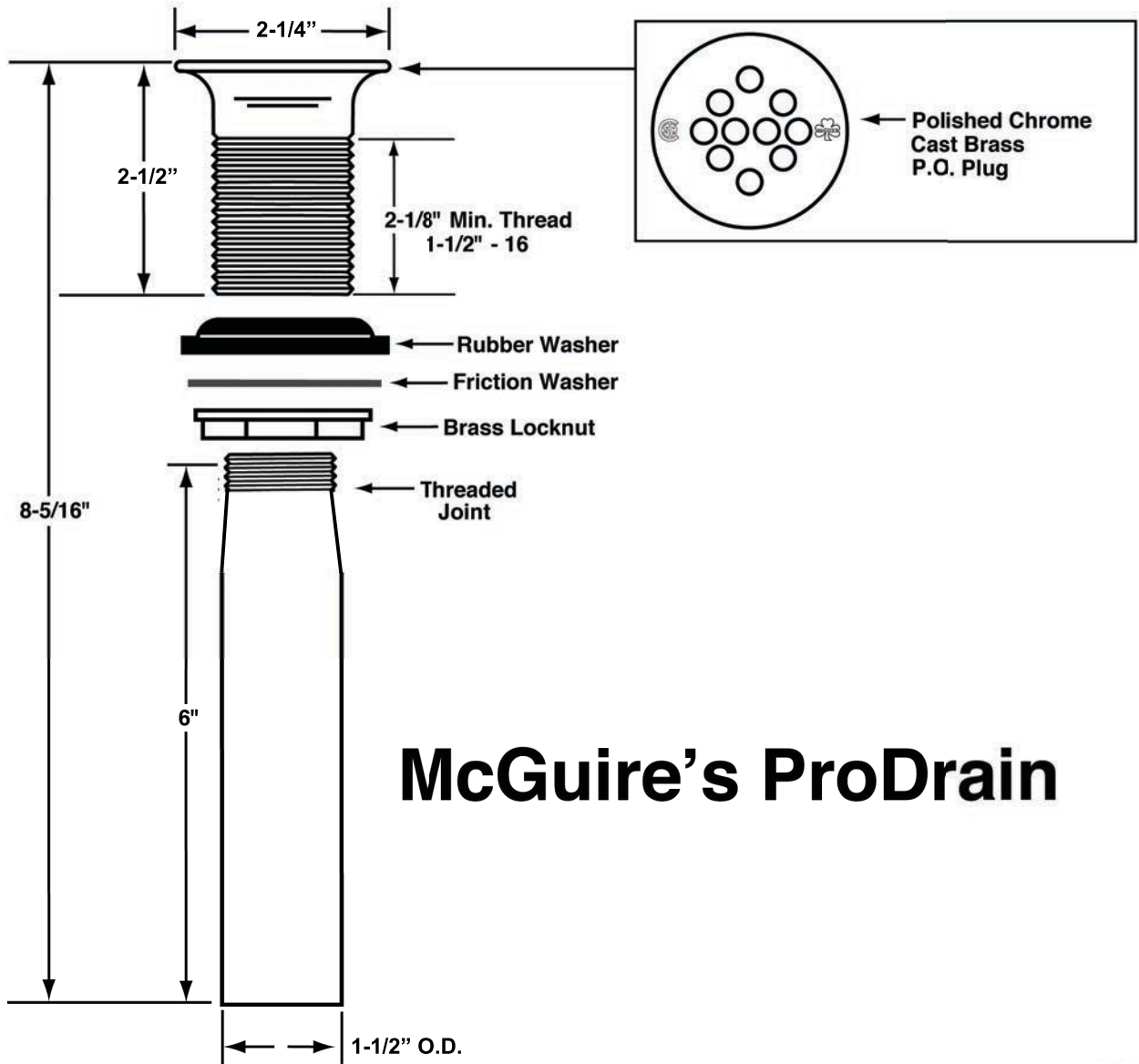
Part No.

ProDrain2

**Grid Drain
less overflow**

Job Name:

Submittal Number:



McGuire's ProDrain



ASME A112.18.2/CSA B125.2

Specifications:

Cast brass chrome plated grid drain less overflow with 17GA 1-1/2" x 6" seamless brass tailpiece, brass lock nut, heavy rubber basin washer and fiber friction washer. Drain shall be in compliance with CSA or other recognized testing authority and bear both manufacturer and testing mark.



WARNING:

This product can expose you to chemicals including lead, which is known to the State of California to cause cancer, and birth defects or other reproductive harm. For more information go to www.P65Warnings.ca.gov.



McGuire Manufacturing Co., Inc.

60 Grandview Court
Cheshire, Connecticut 06410
(203) 699-1801 Fax (203) 699-1813
customerservice@mcguiremfg.com mcguiremfg.com

PRODUCT SPECIFICATION

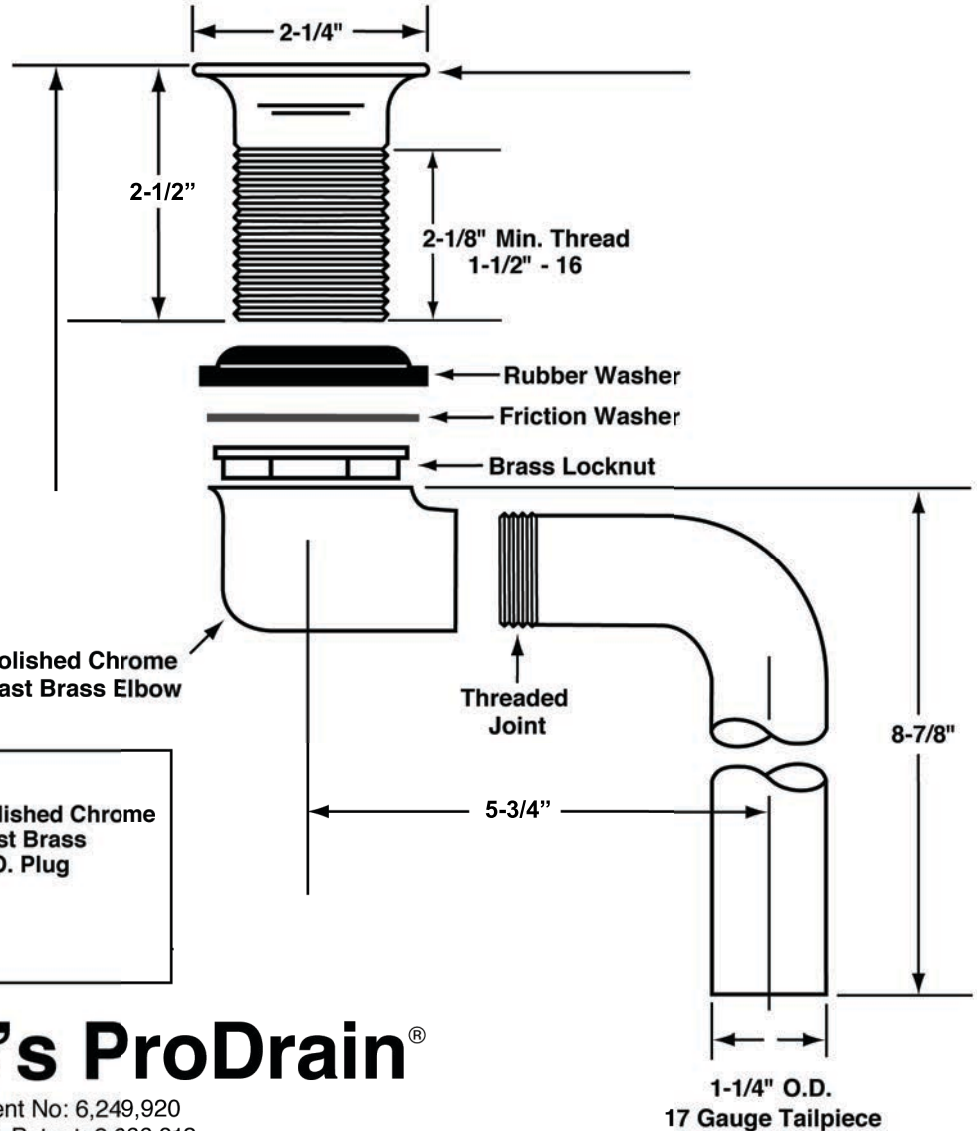
Part No.

ProDrainWC

**Offset Lavatory Grid
Strainer less Overflow**

Job Name:

Submittal Number:



McGuire's ProDrain®

U.S. Patent No: 6,249,920
Canadian Patent: 2,266,812

A.D.A.



ASME A112.18.2/CSA B125.2

Specifications:

Cast Brass Chrome Plated Offset Wheelchair Strainer less overflow with polished chrome cast brass elbow, 17 gauge 1-1/4 inch seamless brass offset tailpiece, heavy rubber basin washer and fiber friction washer. Offset lavatory strainer shall be in compliance with CSA or other recognized testing authority and bear both manufacturer and testing mark.



WARNING:

This product can expose you to chemicals including lead, which is known to the State of California to cause cancer, and birth defects or other reproductive harm. For more information go to www.P65Warnings.ca.gov.